

8x12 Garden Box with Bird Netting Assembly Manual

Made with North American Western Red Cedar

www.CedarShedAndGardenKits.com

info@CedarShedAndGardenKits.com

**Free Delivery from the Factory
to your Home, Ranch or
Business.**

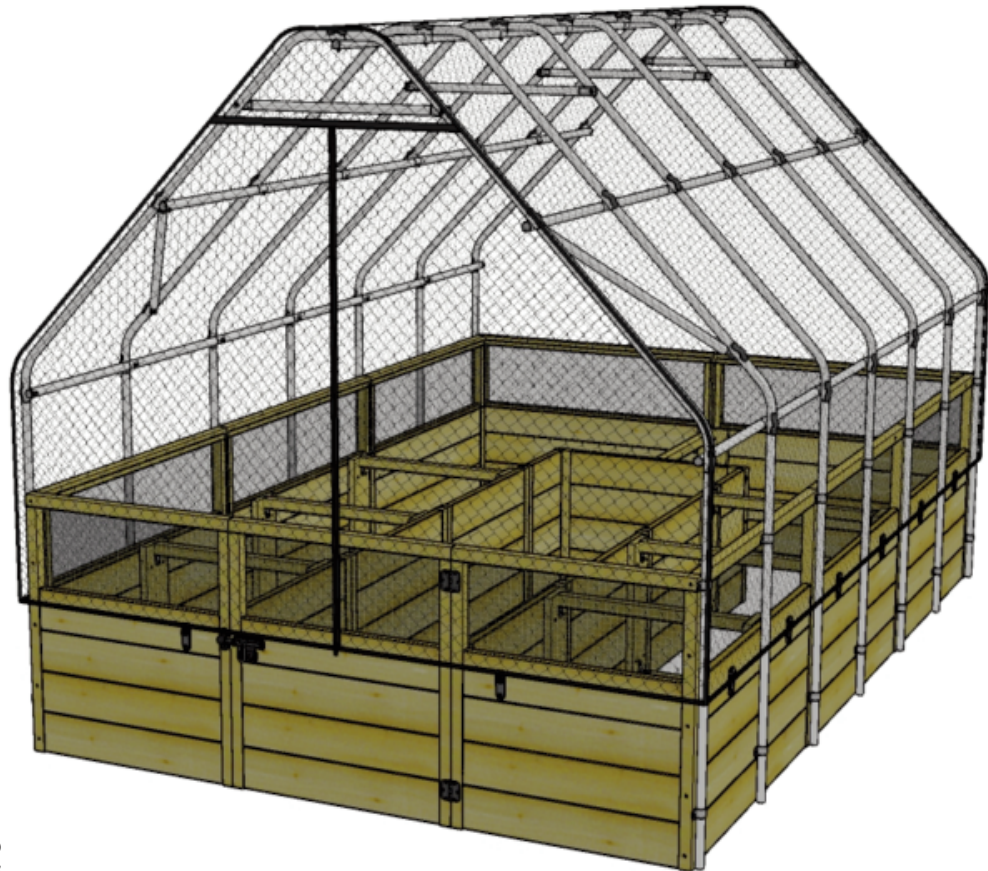
**Thanks for your interest in the
8x12 Garden in a Box**

Safety Points and Other Considerations
Please follow this instruction manual when
assembling your Garden in a Box and retain
the manual for future maintenance purposes.

Please use Safety Eyewear and Gloves while
Assembling. Be sure to read and
follow all operating instructions for any tools
used during assembly.
Remember- NO SAW CUTTING IS
REQUIRED!

We recommend once a year in the early spring to
check that all fasteners are snug and to tighten if
loose.








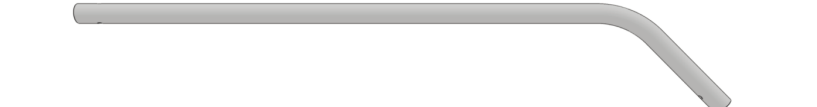

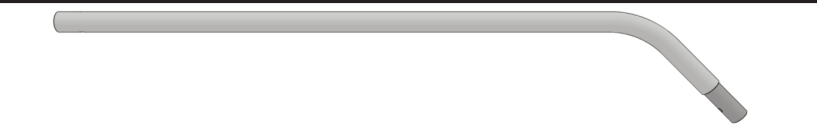

Any small rips or tears that occur in the netting
either by accidental damage or by natural wear
and tear over time can be repaired by pinching the
two nearest intact sections together and banding
with a zip tie.



**Customer agrees to hold OLT Manufacturing and Cedar
Shed And Garden Kits LLC, Authorized Dealer, free of any
liability for improper installation, maintenance and repair.**

In the event of missing or broken pieces, please call the Customer Support Line within 30 days of the delivery of your kit. You'll find the number in your Assembly Manual that comes with the kit. It is our commitment to you to deliver replacement parts, free of charge, within 10 business days of your notification. Replacement parts will not be provided free of charge after the 30 day grace period.

Thanks for your interest in the 8x12 Garden in a Box with Bird Netting Cover.

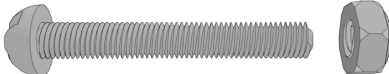
Part 1		x 14
Part 2		x 5
Part 3		x 20
Part 4		x 5
Part 5		x 6
Part 6		x 12
Part 7		x 2
Part 8		x 3
Part 9		x 4
Part 10		x 3
Part 11		x 4

Hardware & Miscellaneous

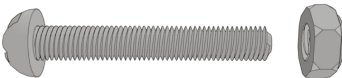
1 x Phillips Bit



2 x M6x60



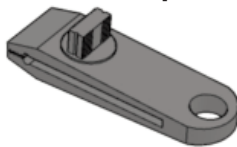
33 x M6x55



10 x M6x35



16 x Clips



16 x Washers



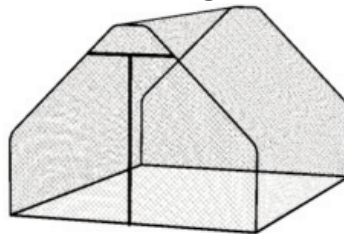
16 x 1" Screws



56 x 5/8" Screws



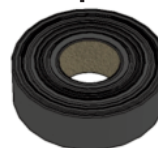
Bird Netting Cover



28 x Pipe Clamps

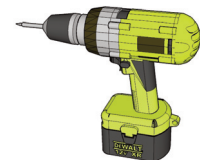


1 x Tape Roll



Tools Required

(Not Provided)



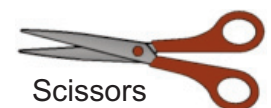
Screw Gun/Drill



Pliers

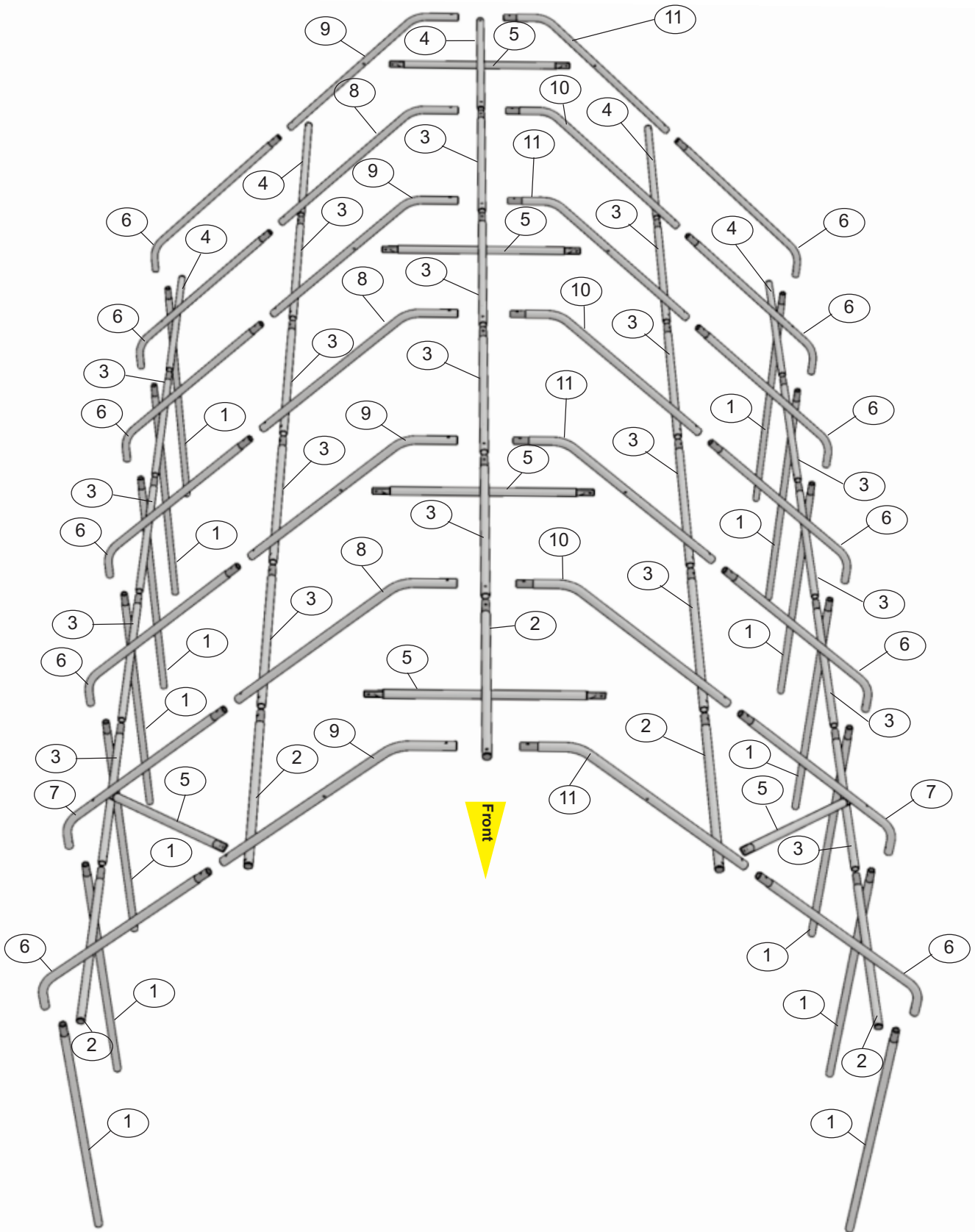



Phillips Screwdriver

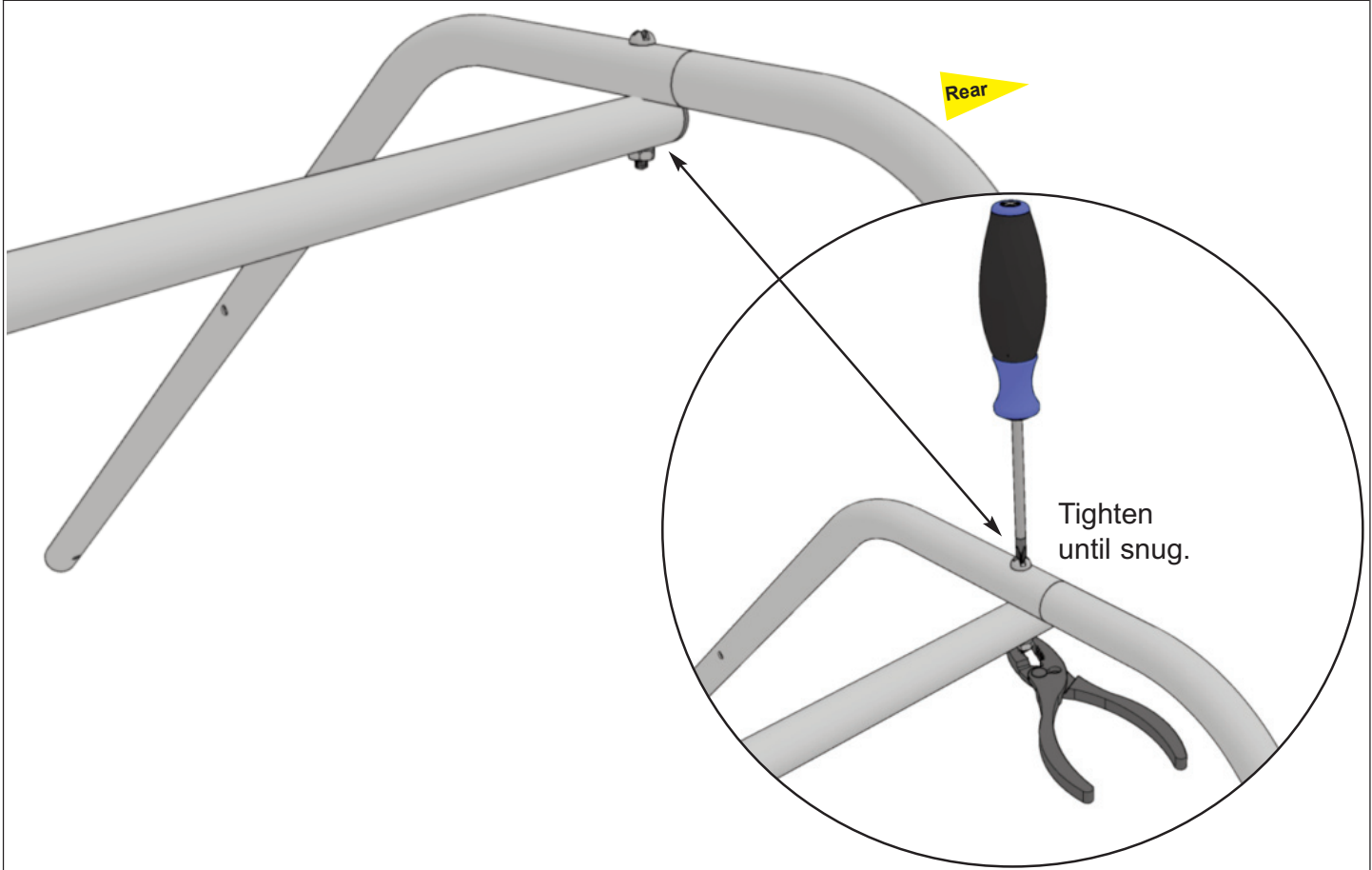
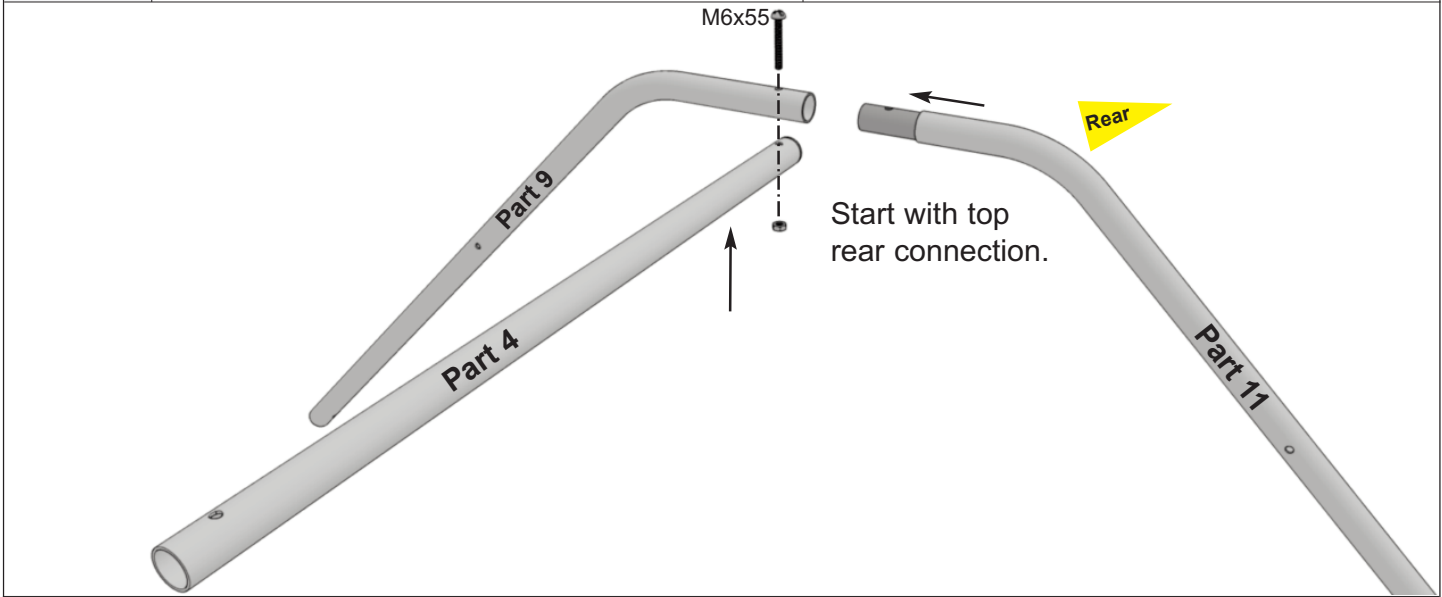


Scissors

Exploded View



Step	Parts & Hardware	
	1	1 x Part 4
1 x Part 9		1 x M6x55
		



Step

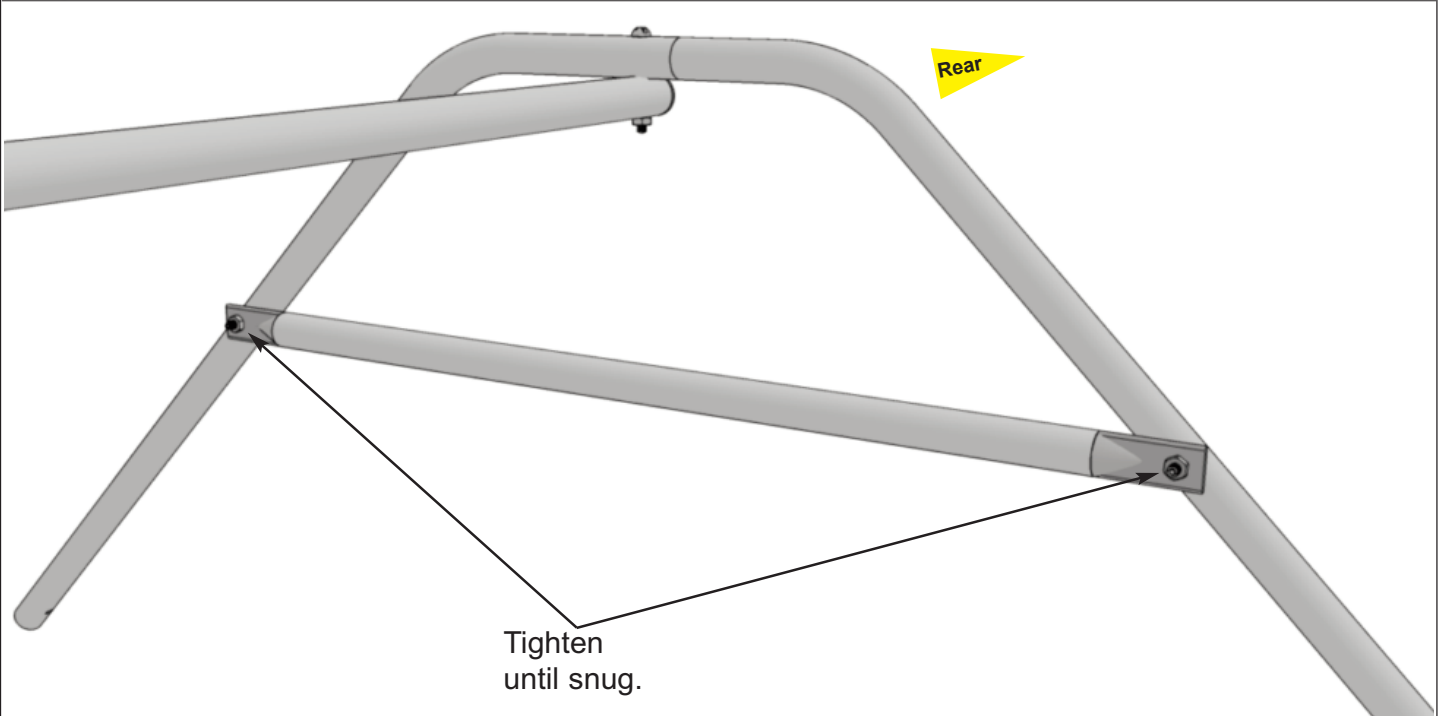
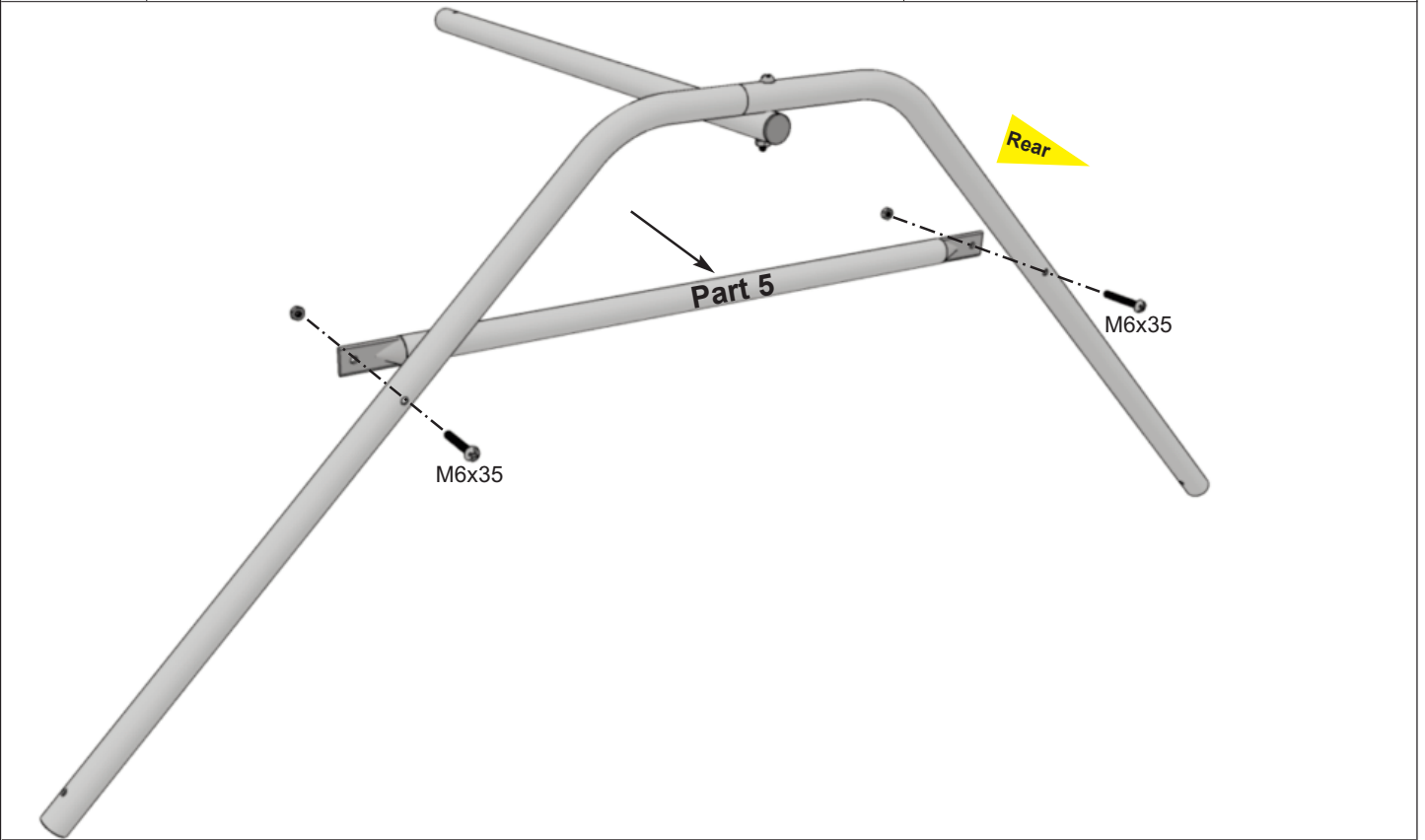
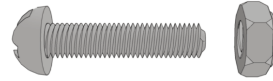
2

Parts & Hardware

1 x Part 5



2 x M6x35



Step

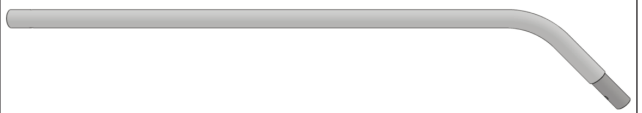
3

Parts & Hardware

1 x Part 3



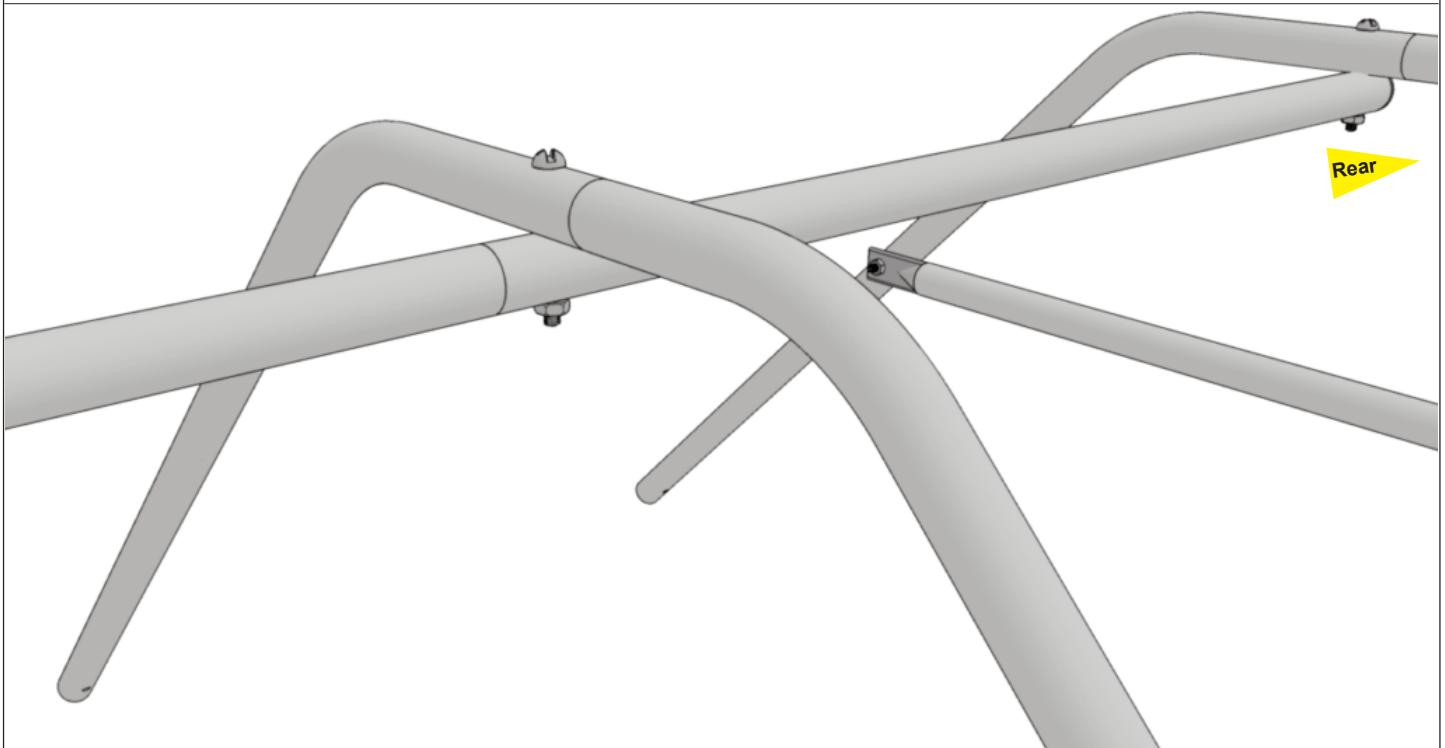
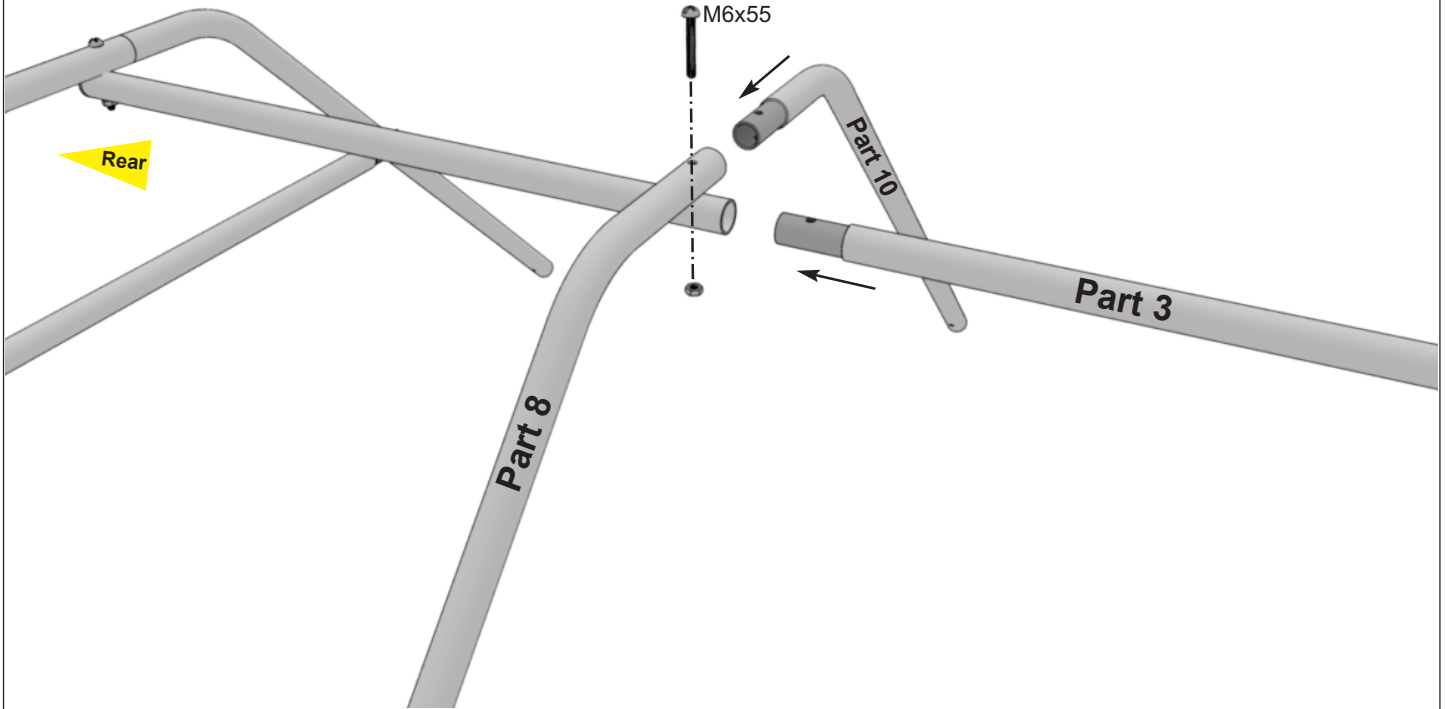
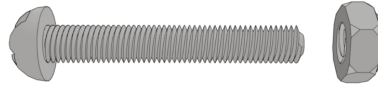
1 x Part 10



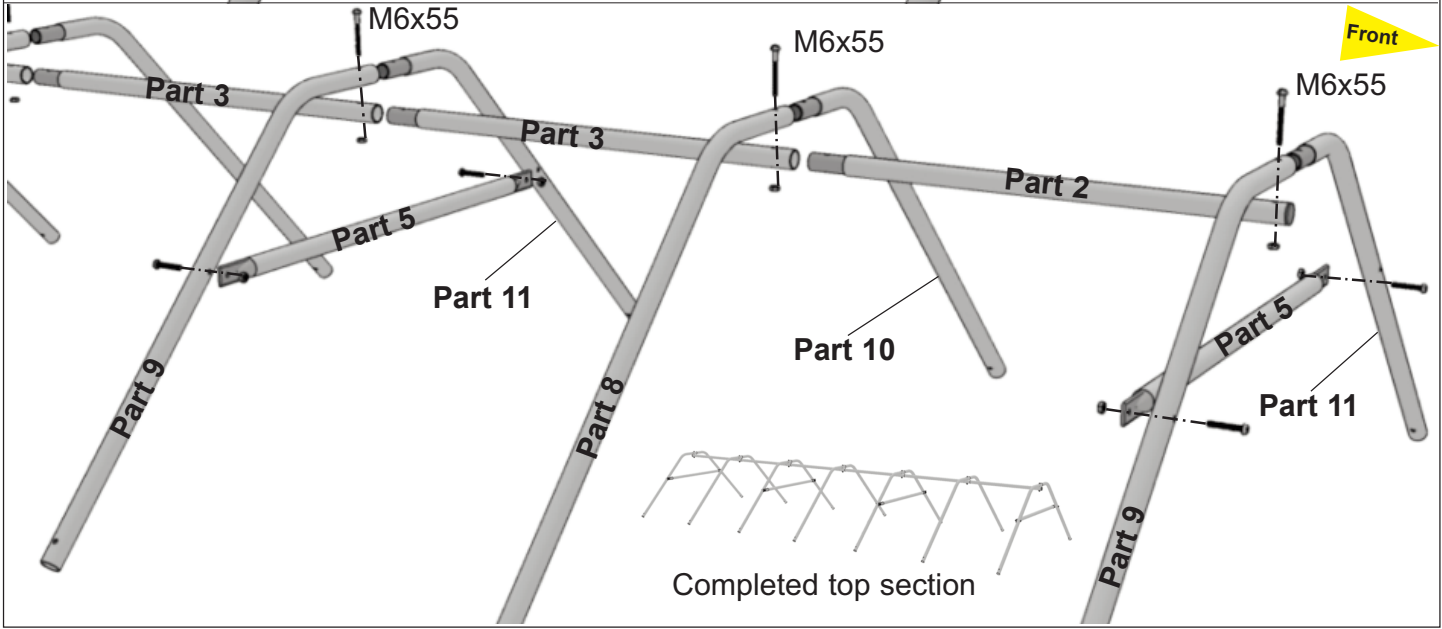
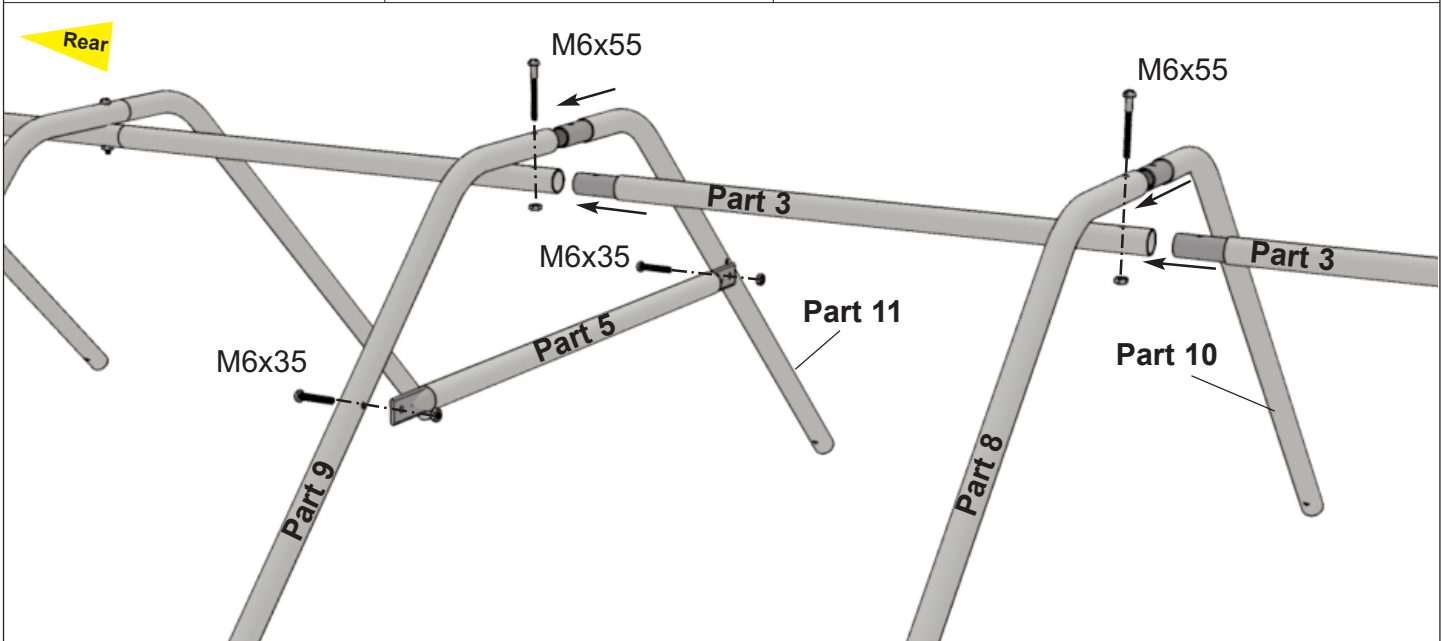
1 x Part 8



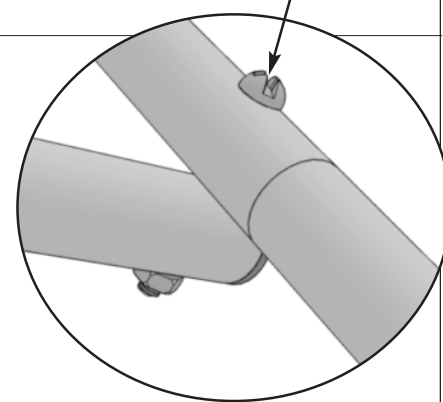
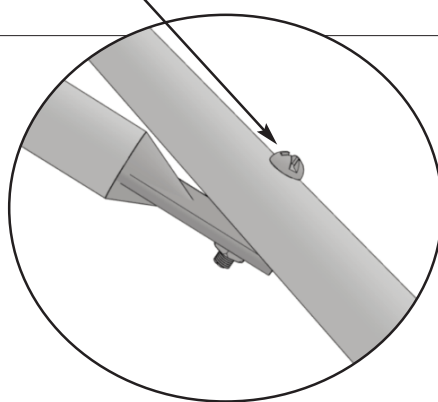
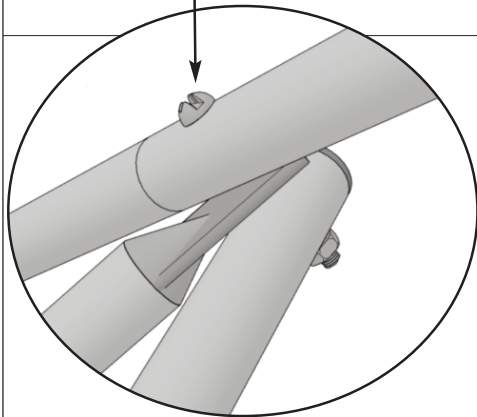
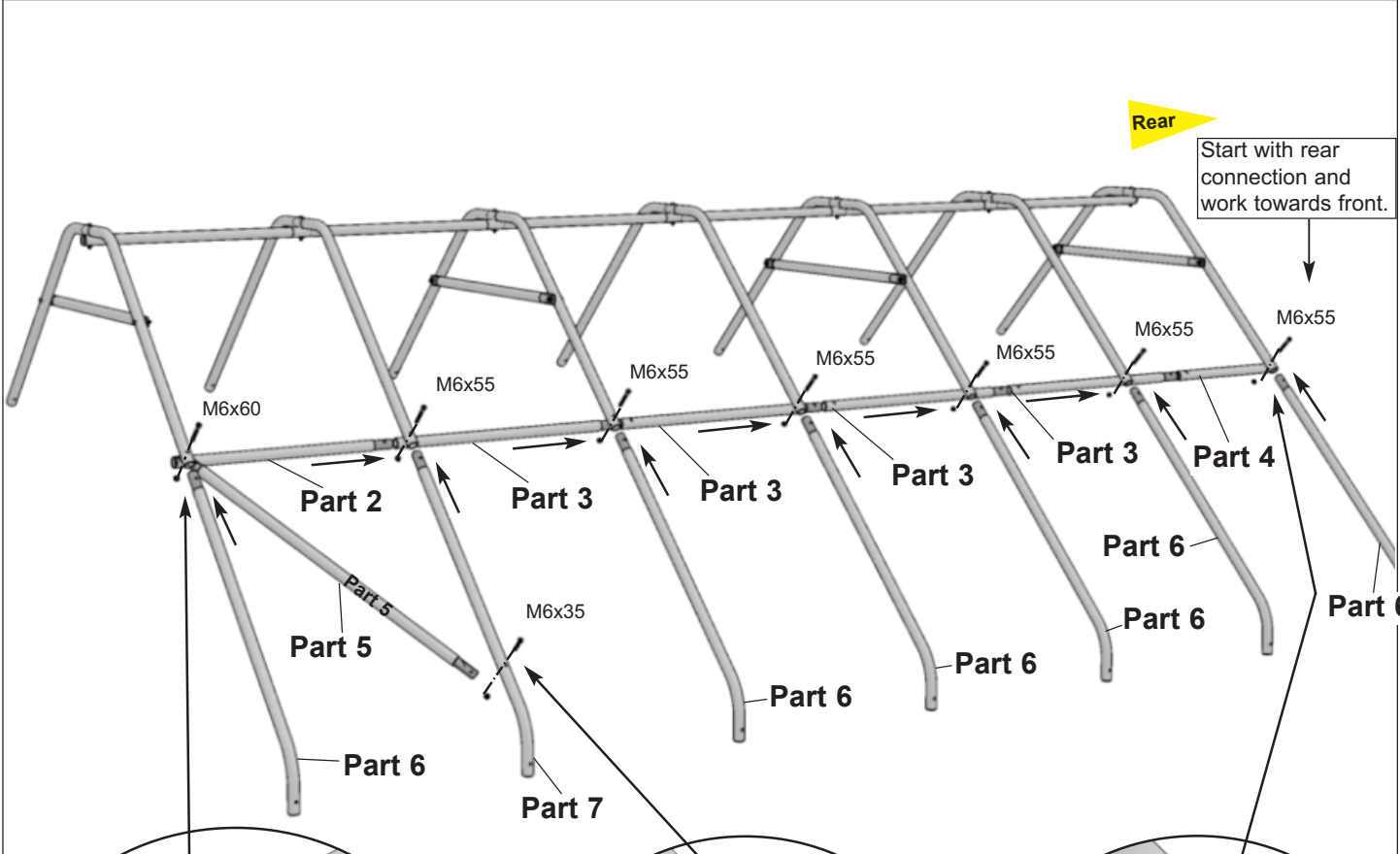
1 x M6x55



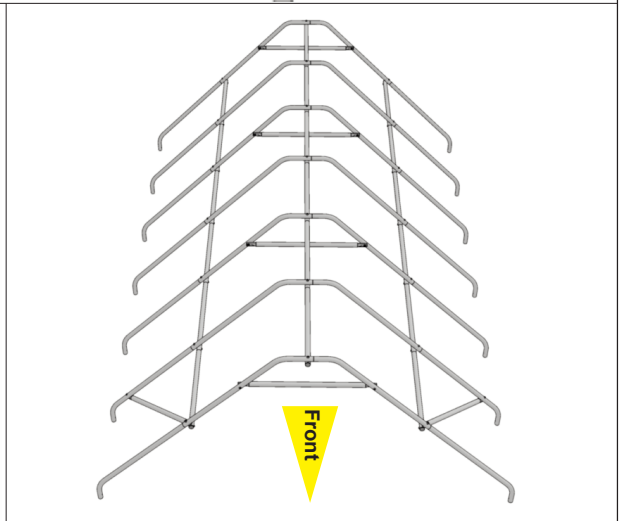
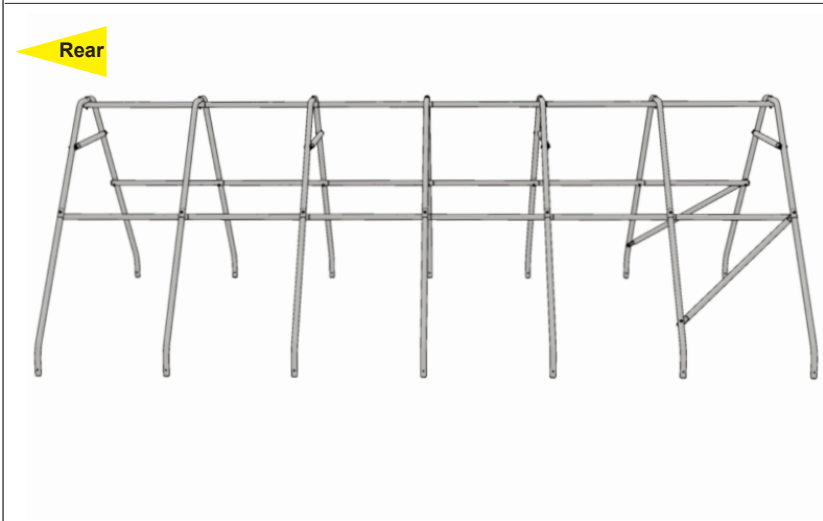
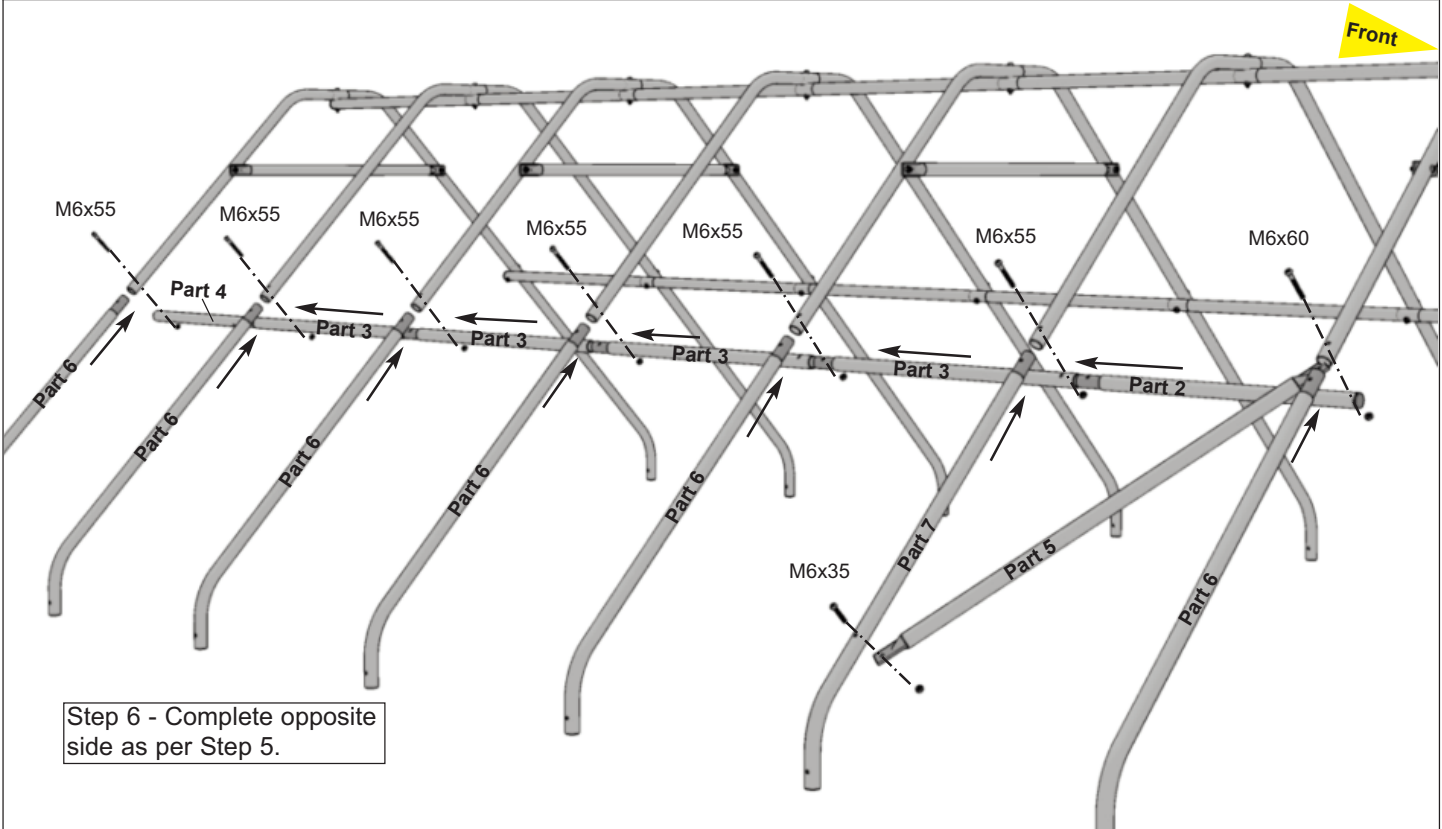
Step 4	Parts & Hardware	
	2 x Part 8	2 x Part 10
1 x Part 2	3 x Part 3	
3 x Part 9	3 x Part 11	
6 x M6x35	5 x M6x55	3 x Part 5



Step	Parts & Hardware	
	5	1 x Part 7
1 x Part 4		4 x Part 3
1 x Part 2		1 x Part 5
1 x M6x35		6 x M6x55
		1 x M6x60



Step	Parts & Hardware	
	6	1 x Part 7
1 x Part 4		4 x Part 3
1 x Part 2		1 x Part 5
1 x M6x35		6 x M6x55

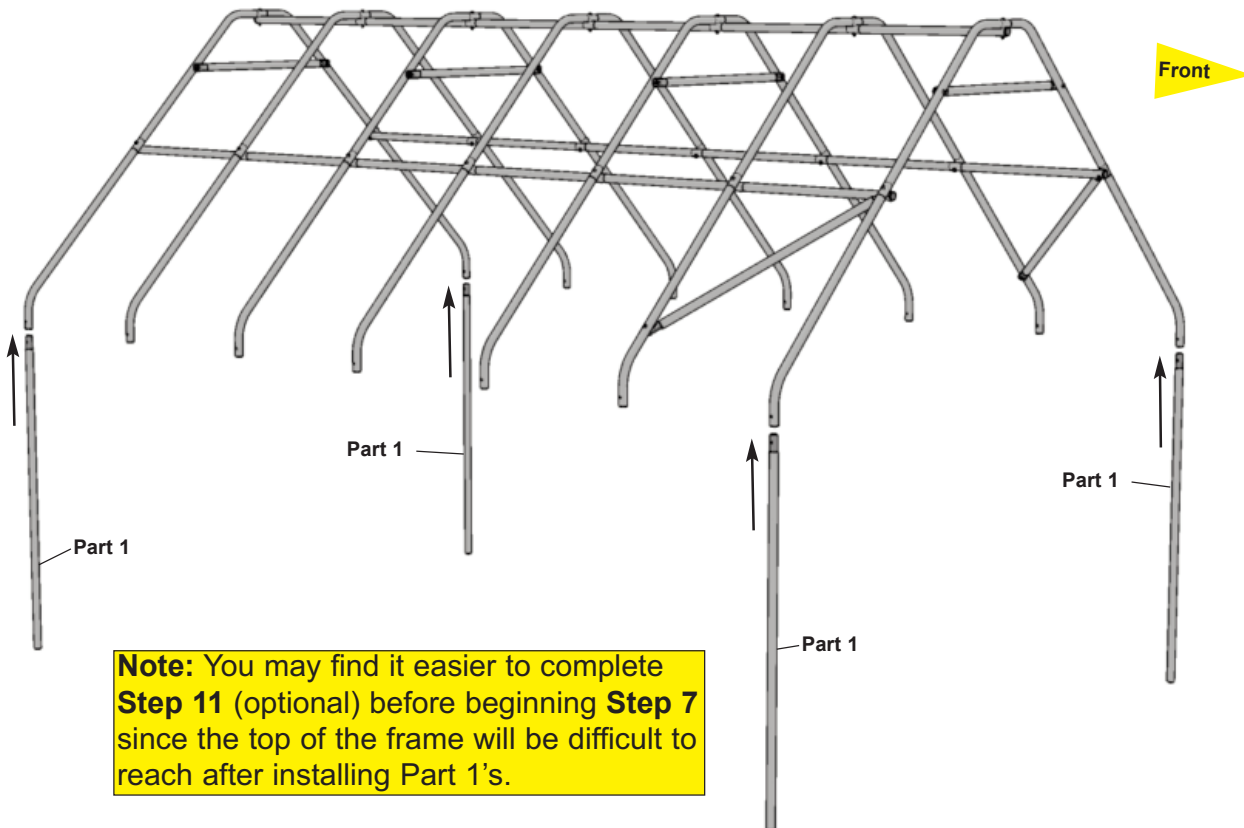


Step

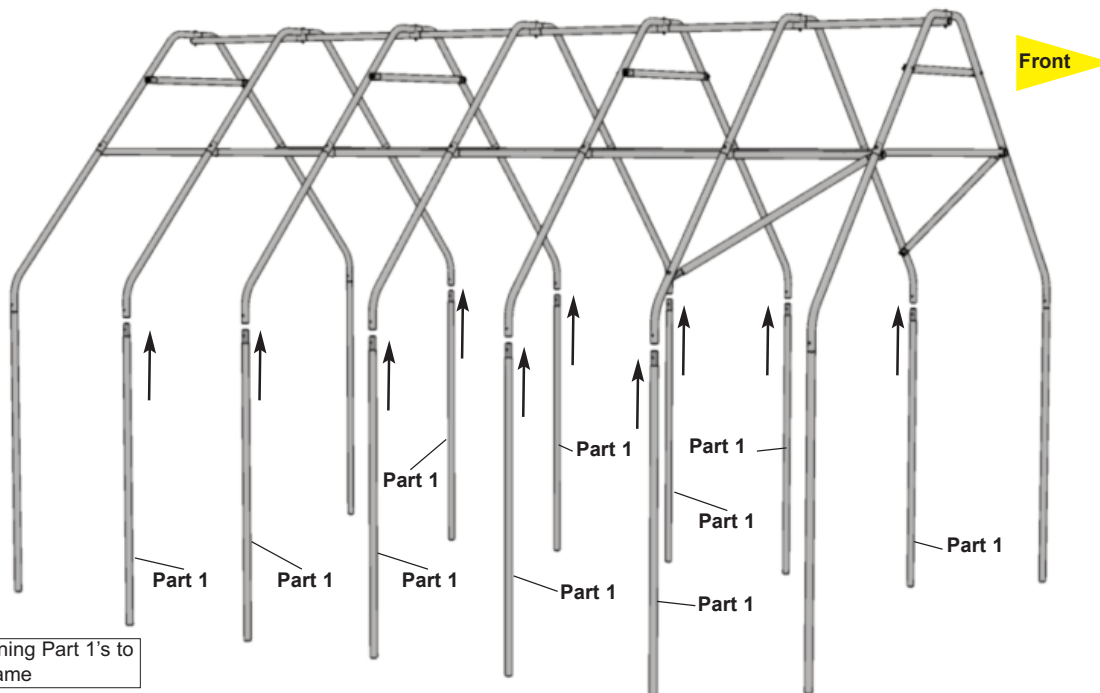
7

Parts & Hardware


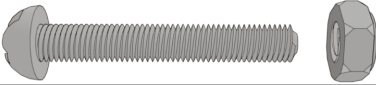


14 x Part 1

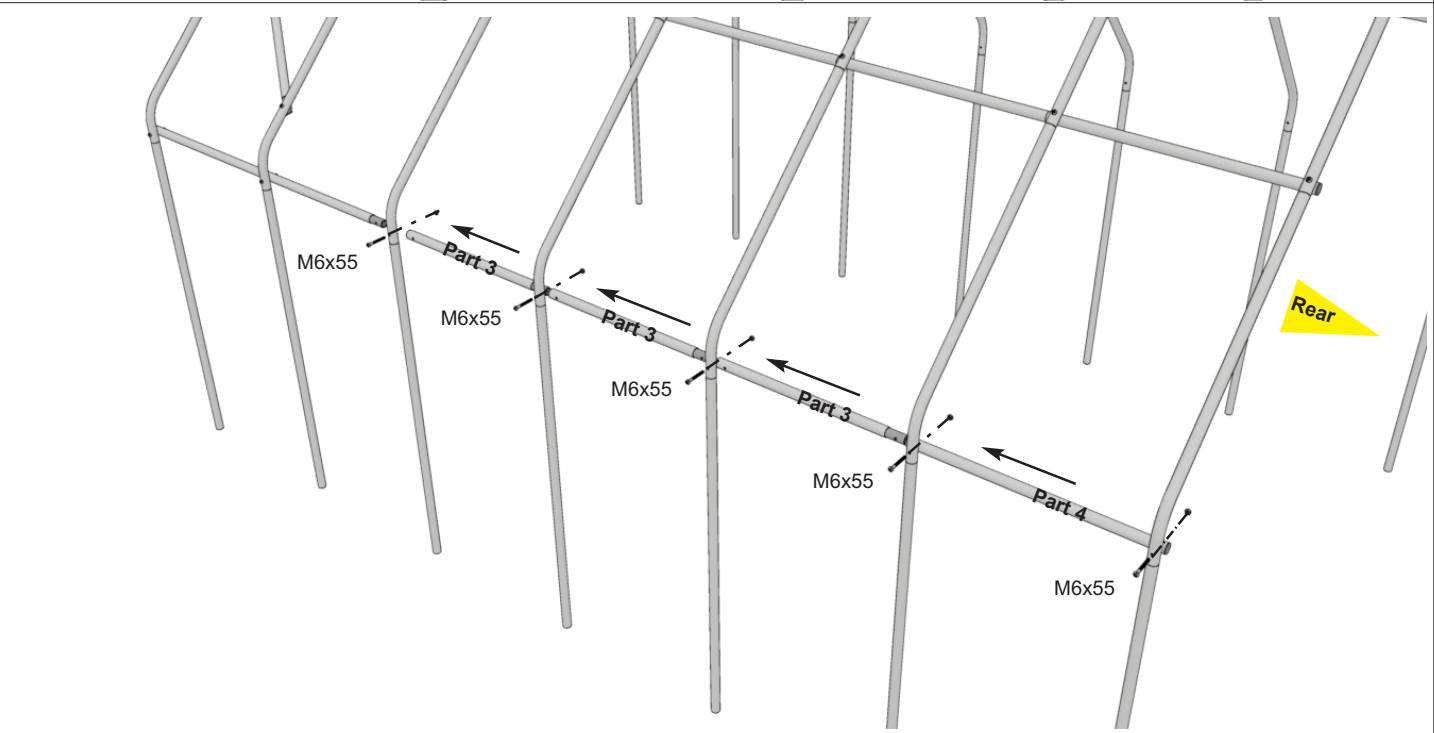
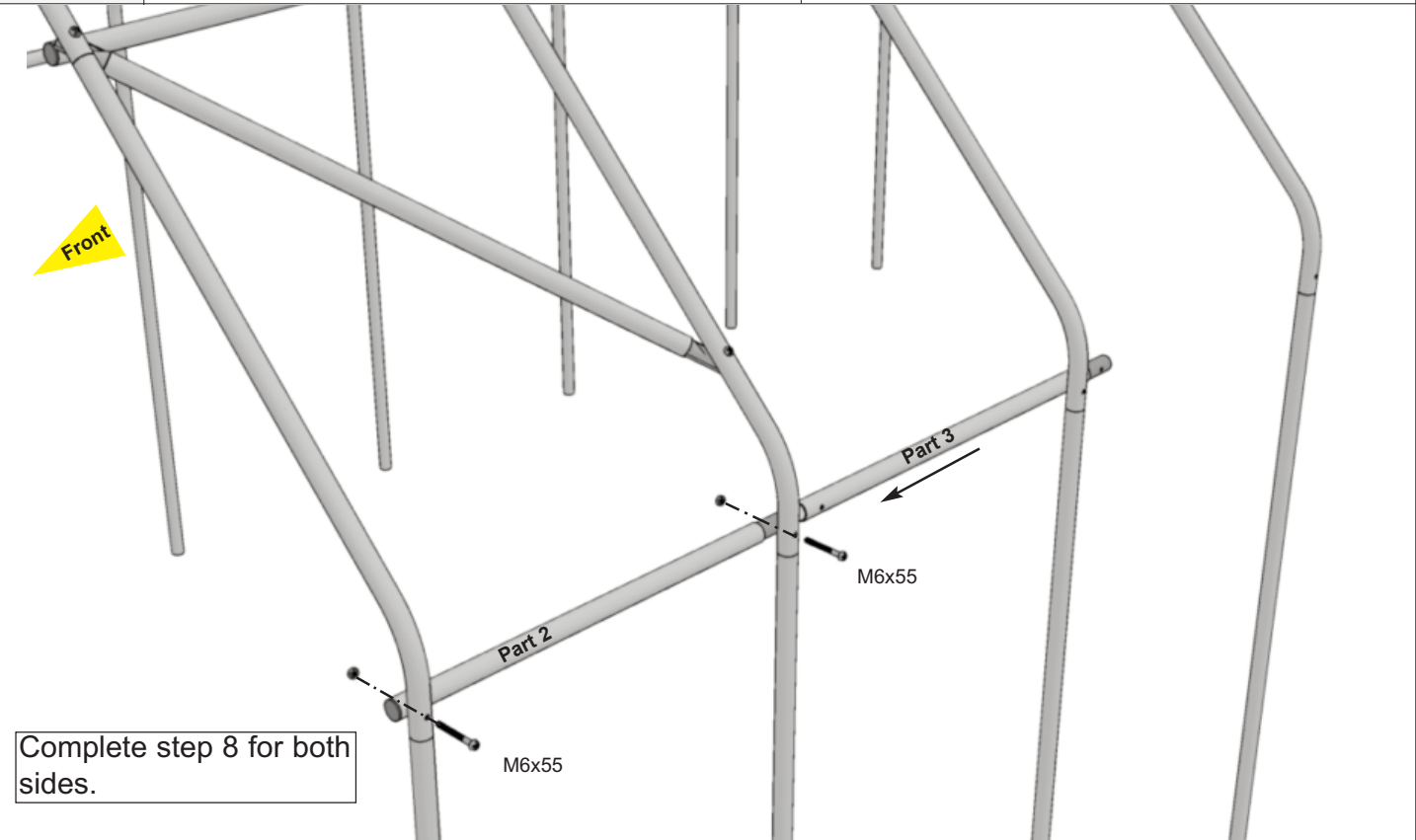


Note: You may find it easier to complete **Step 11** (optional) before beginning **Step 7** since the top of the frame will be difficult to reach after installing Part 1's.

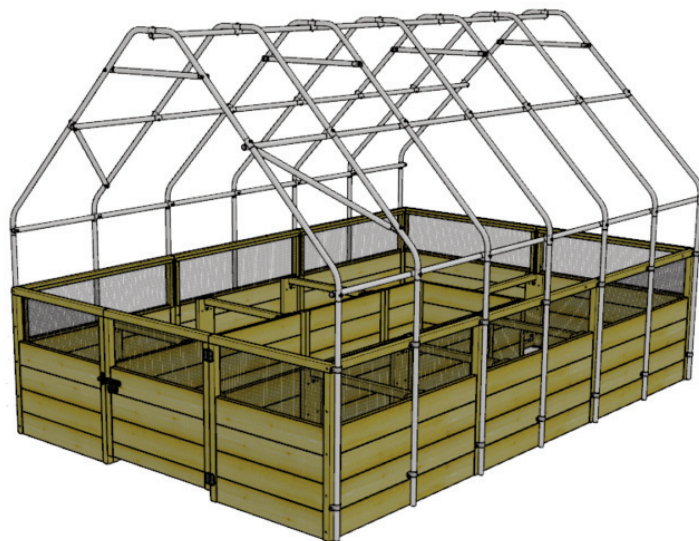
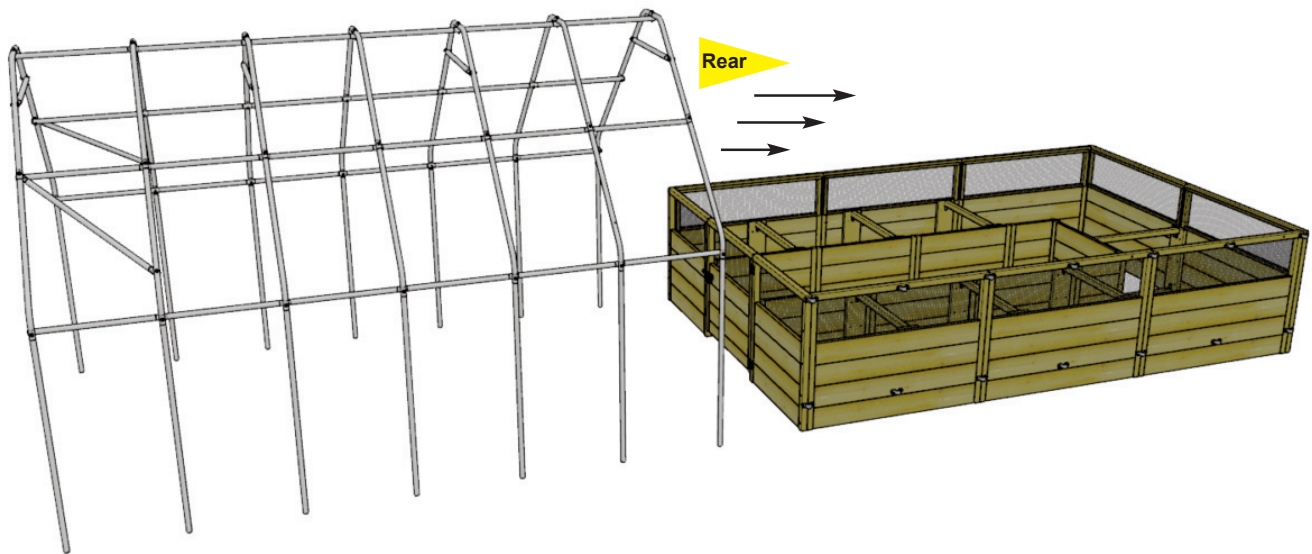


Insert remaining Part 1's to stand up frame

Step 8	Parts & Hardware	
	8 x Part 3 	14 x M6x55 
	2 x Part 2 	2 x Part 4 



Step 9



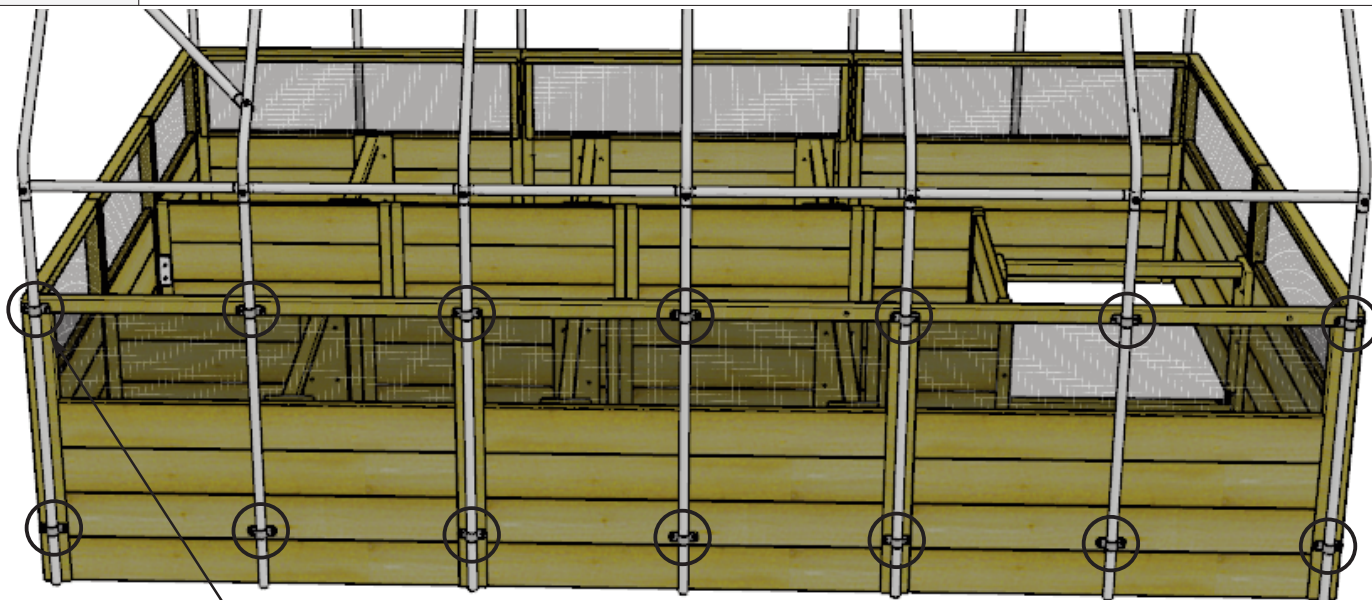
Step
10

Parts & Hardware

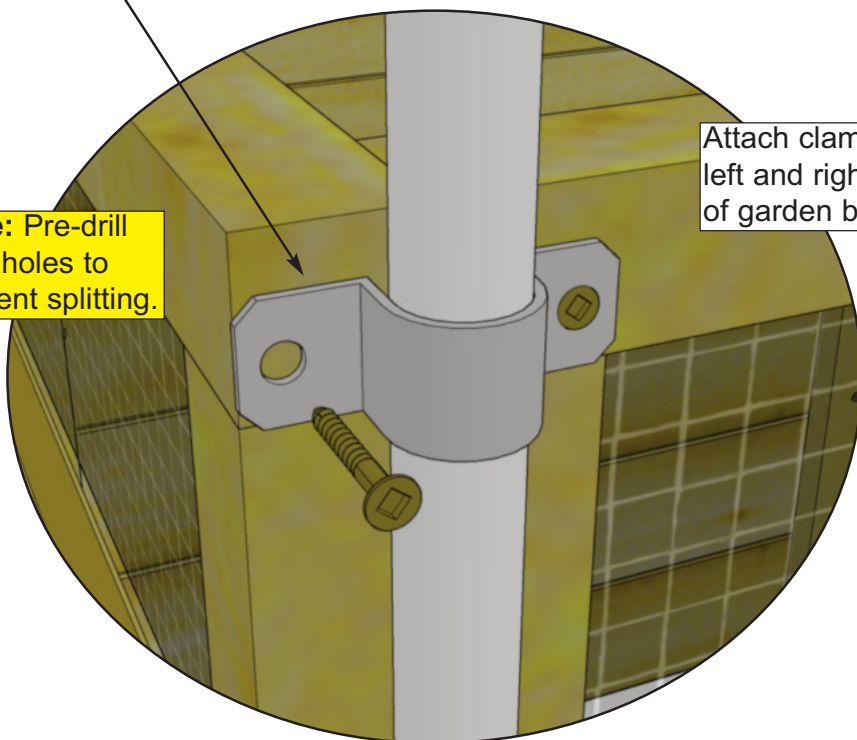
28 x Pipe Clamps



56 x 5/8" Screws



Note: Pre-drill pilot holes to prevent splitting.



Attach clamps on left and right side of garden bed.

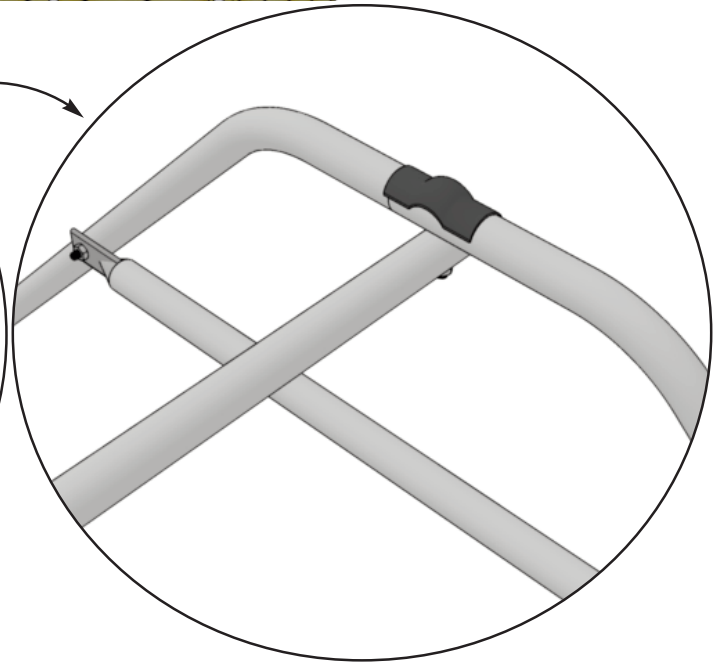
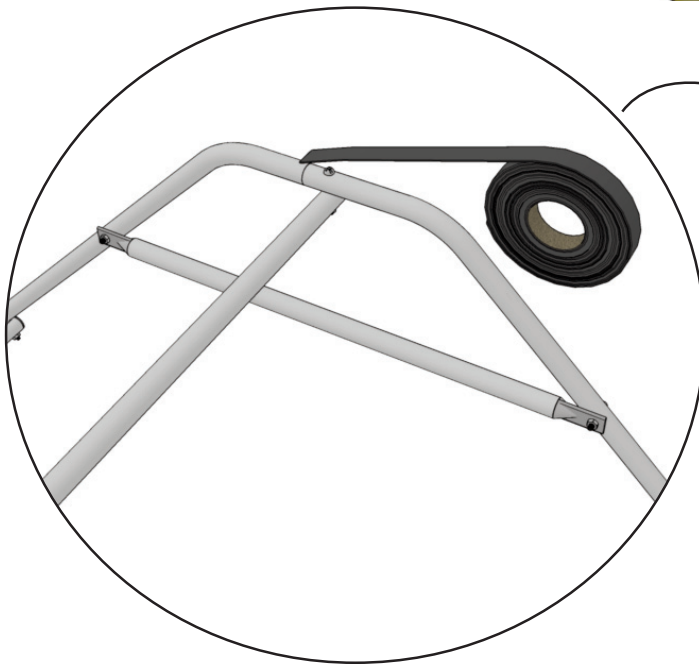
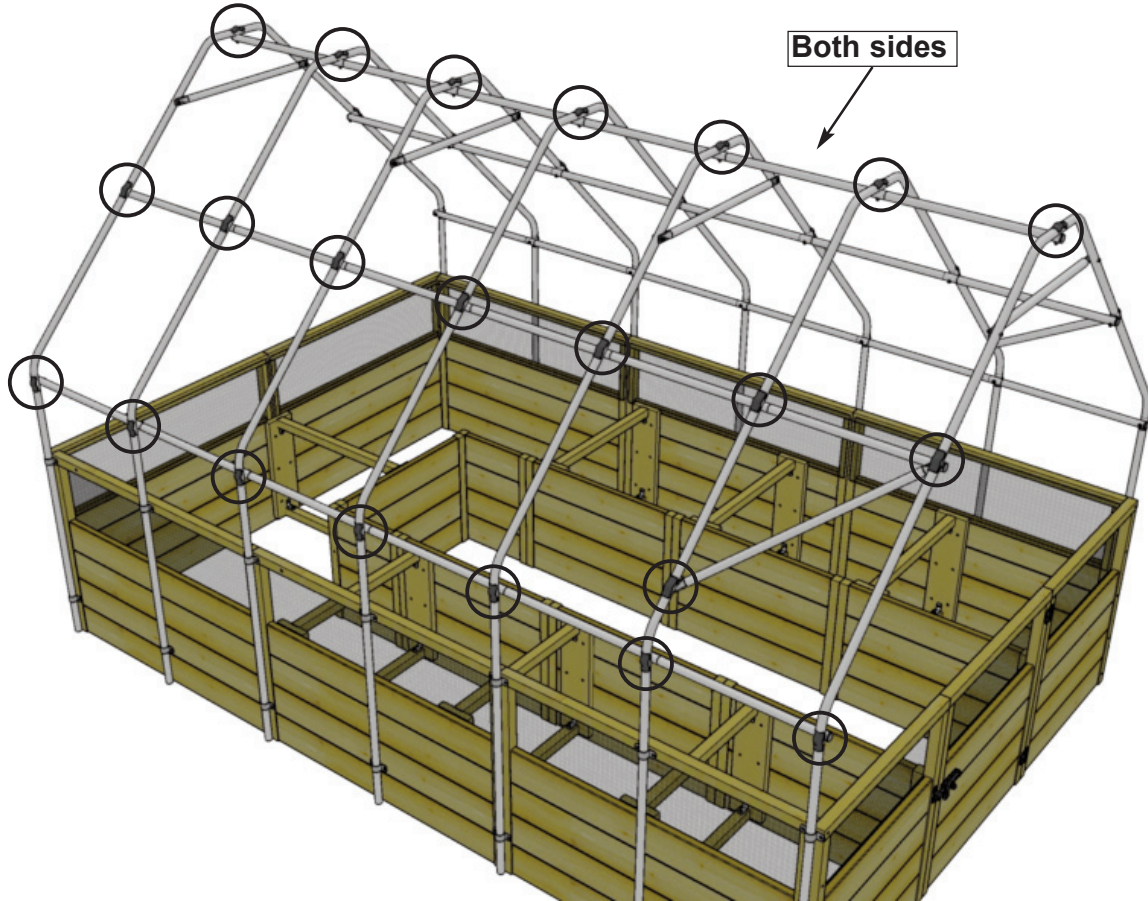
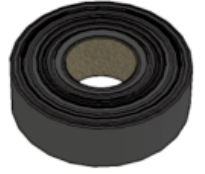
Step

11 - Optional

Parts & Hardware

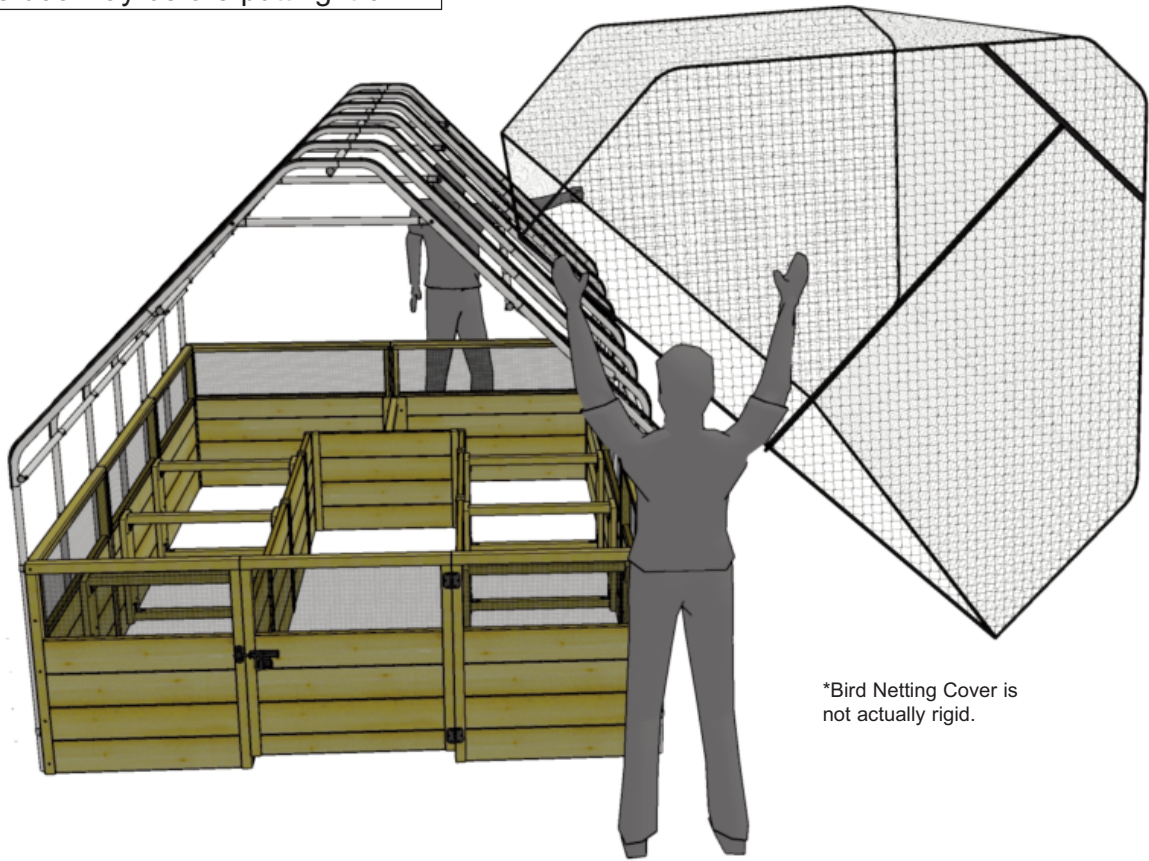
Note: You may want to cover each exposed bolt head on the exterior of the frame with a short strip of black tape (included). This will make the next step easier by preventing the Bird Netting from getting caught on the bolts when you put it onto the frame.

1 x Tape Roll

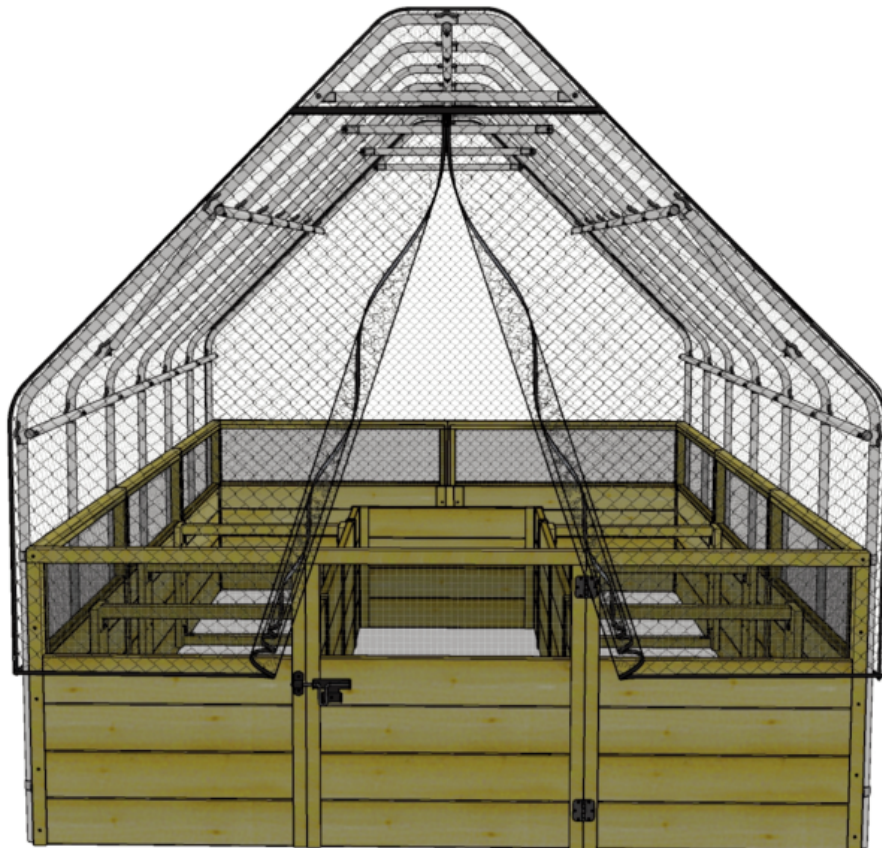


Step 12

Note: To fit the Bird Netting Cover on the frame, it will help to open the doorway before putting it on.



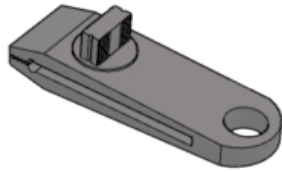
*Bird Netting Cover is not actually rigid.



Step 13

Parts & Hardware

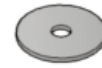
2 x Clips



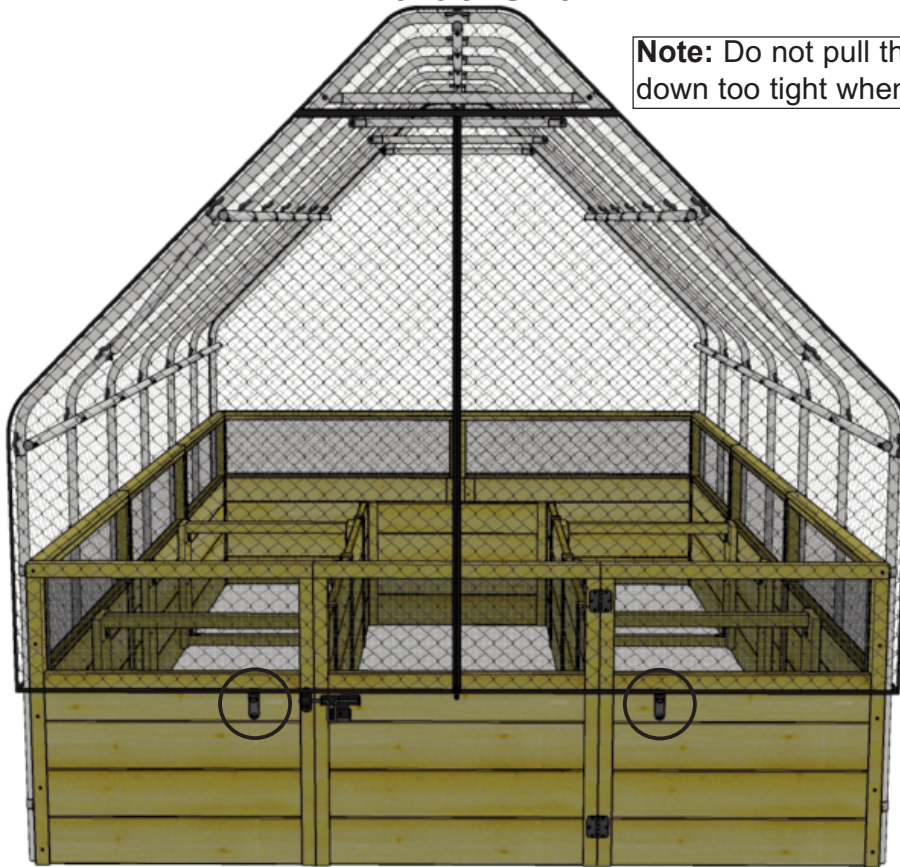
2 x 1" Screws



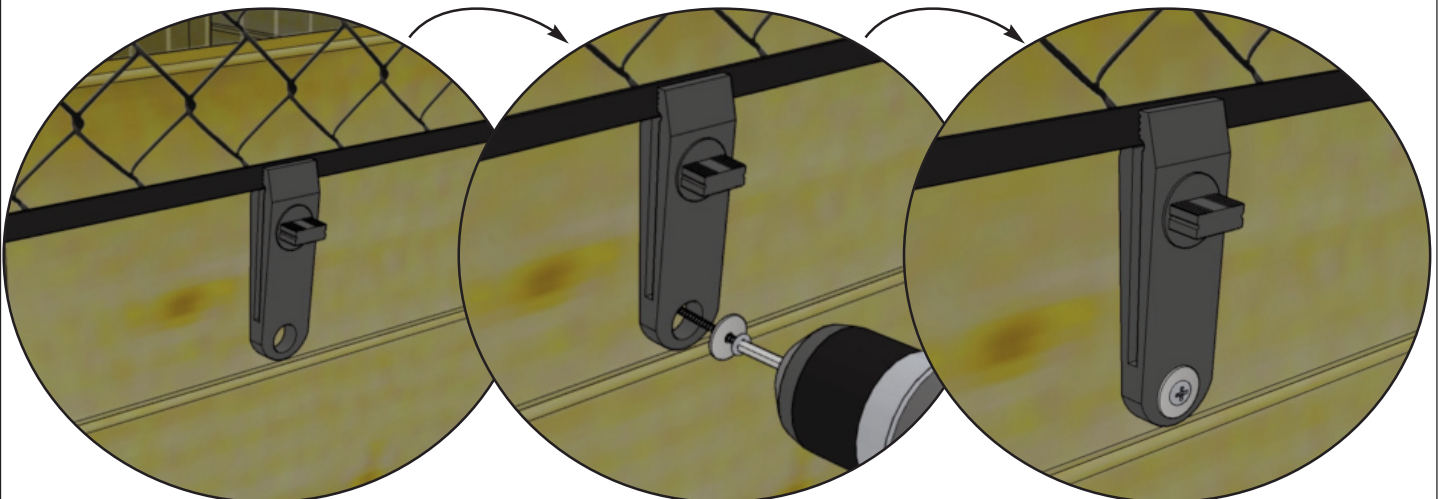
2 x Washers



Front of Unit



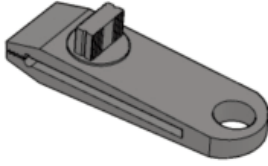
Note: Do not pull the Bird Netting Cover down too tight when attaching the clips.



Step
14

Parts & Hardware

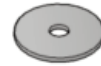
14 x Clips



14 x 1" Screws



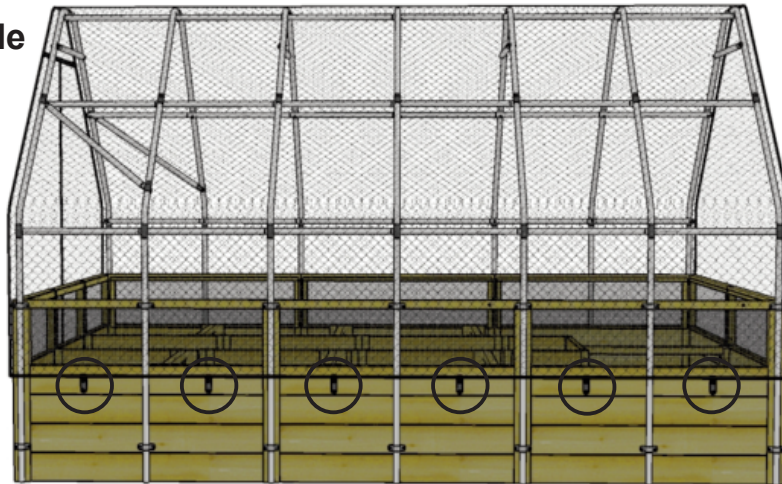
14 x Washers



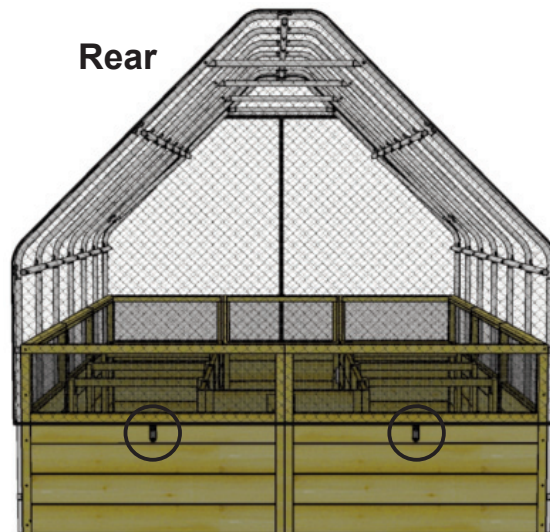
Right Side



Left Side



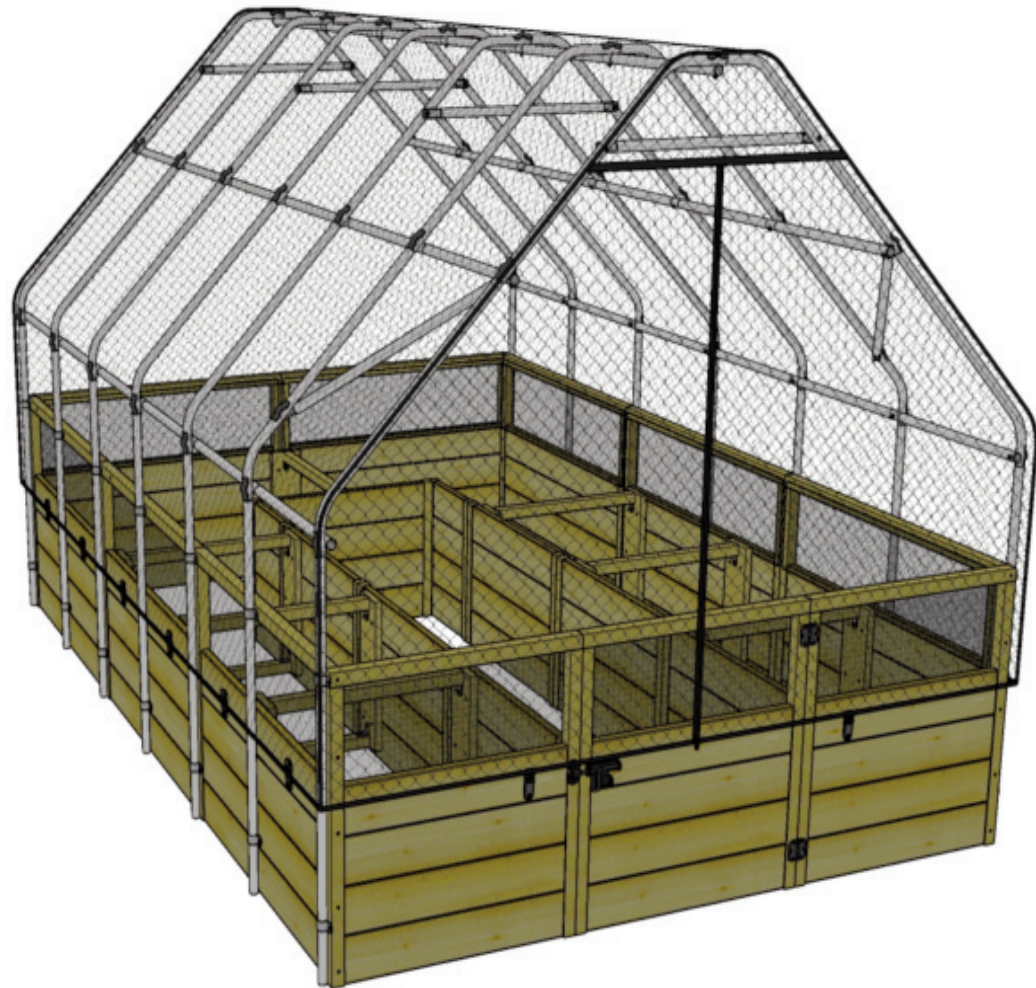
Rear



Made with North American Western Red Cedar

www.CedarShedAndGardenKits.com info@CedarShedAndGardenKits.com

Note: The Garden Boxes are shipped as an unfinished product. If exposed to the elements, the western red cedar lumber will weather to a silvery-gray color. If you prefer to keep the cedar lumber looking closer to the original color, we suggest that you treat the wood with a good oil base wood stain. You may also wish to paint your new shed rather than stain it. In both cases we recommend that you consult with a paint and stain dealer in your area for their recommendations.



We value your feedback and would like to hear back from you on how well we are doing in the following areas:

- 1. Customer Service**
- 2. On Time Shipping**
- 3. Motor Freight Delivery**
- 4. Quality of Materials**
- 5. Assembly Manual**
- 6. Overall Satisfaction.**

Please email John and Pat Motley
info@CedarShedandGardenKits.com

The materials contained in this Assembly Manual may be downloaded or copied provided that ALL copies retain the copyright and any other proprietary notices contained on the materials. No material may be modified, edited or taken out of context such that its use creates a false or misleading statement or impression as to the positions, statements or actions.