

Made with North American Western Red Cedar

www.CedarShedAndGardenKits.com info@CedarShedAndGardenKits.com

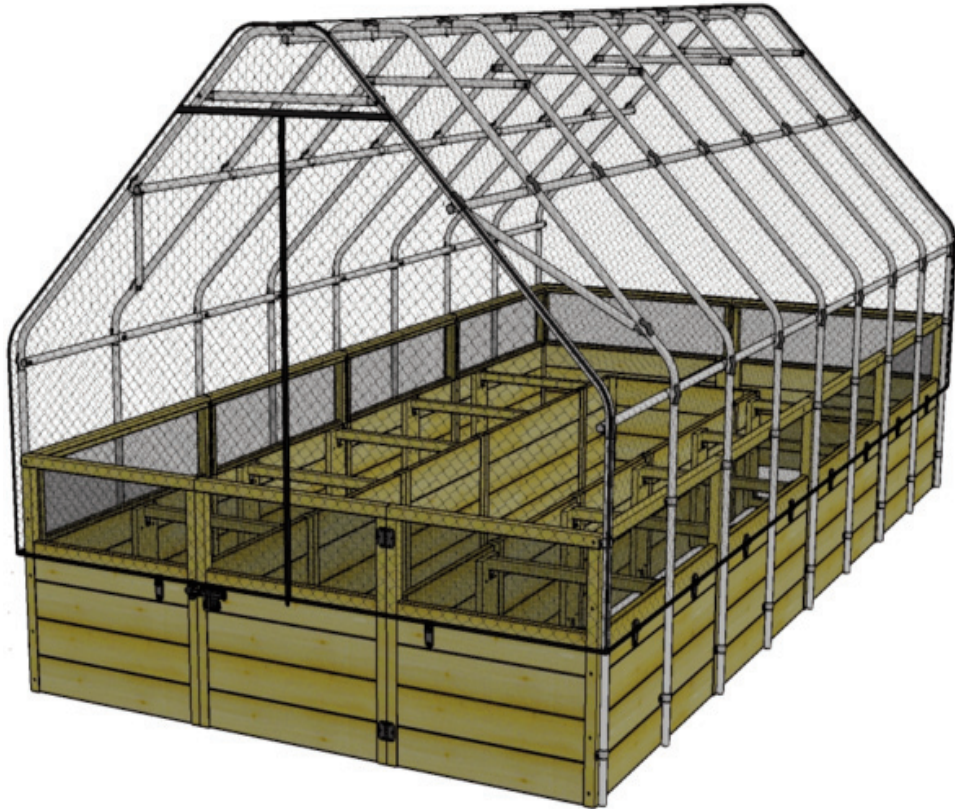
Free Delivery from the Factory to your Home, Ranch or Business.

Thanks for your interest in the 8x16 Garden in a Box.

Safety Points and Other Considerations

Please follow this instruction manual when assembling your Garden in a Box and retain the manual for future maintenance purposes.

Please use Safety Eyewear and Gloves while Assembling. Be sure to read and follow all operating instructions for any tools used during assembly.
Remember- NO SAW CUTTING IS REQUIRED!




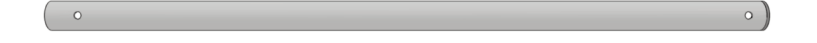
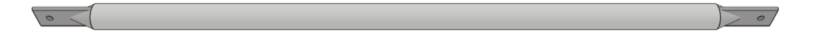
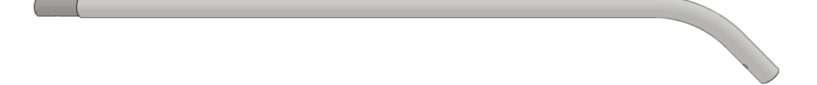


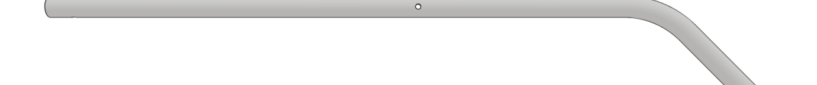




In the event of a missing or broken piece, call the OLT Customer Support Line @ 1-888-658-1658 with-in 30 days of the delivery of your purchase. It is our commitment to you to courier replacement parts, free of charge, within 10 business days of this notification. Replacement parts will not be provided free of charge after the 30 day grace period.

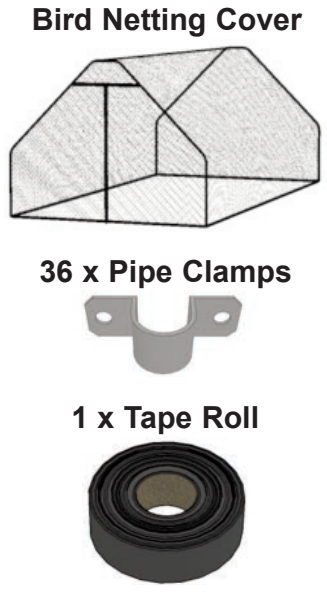
All structures purchased from OLT are covered for a period of one year for defects in manufacturing and workmanship. Costs incurred for customer installations are not included.

Failure to use supplied parts included in this kit could result in poor product performance and may void your warranty. Please contact OLT's Customer Toll Free Line if you plan to deviate from our written instructions.

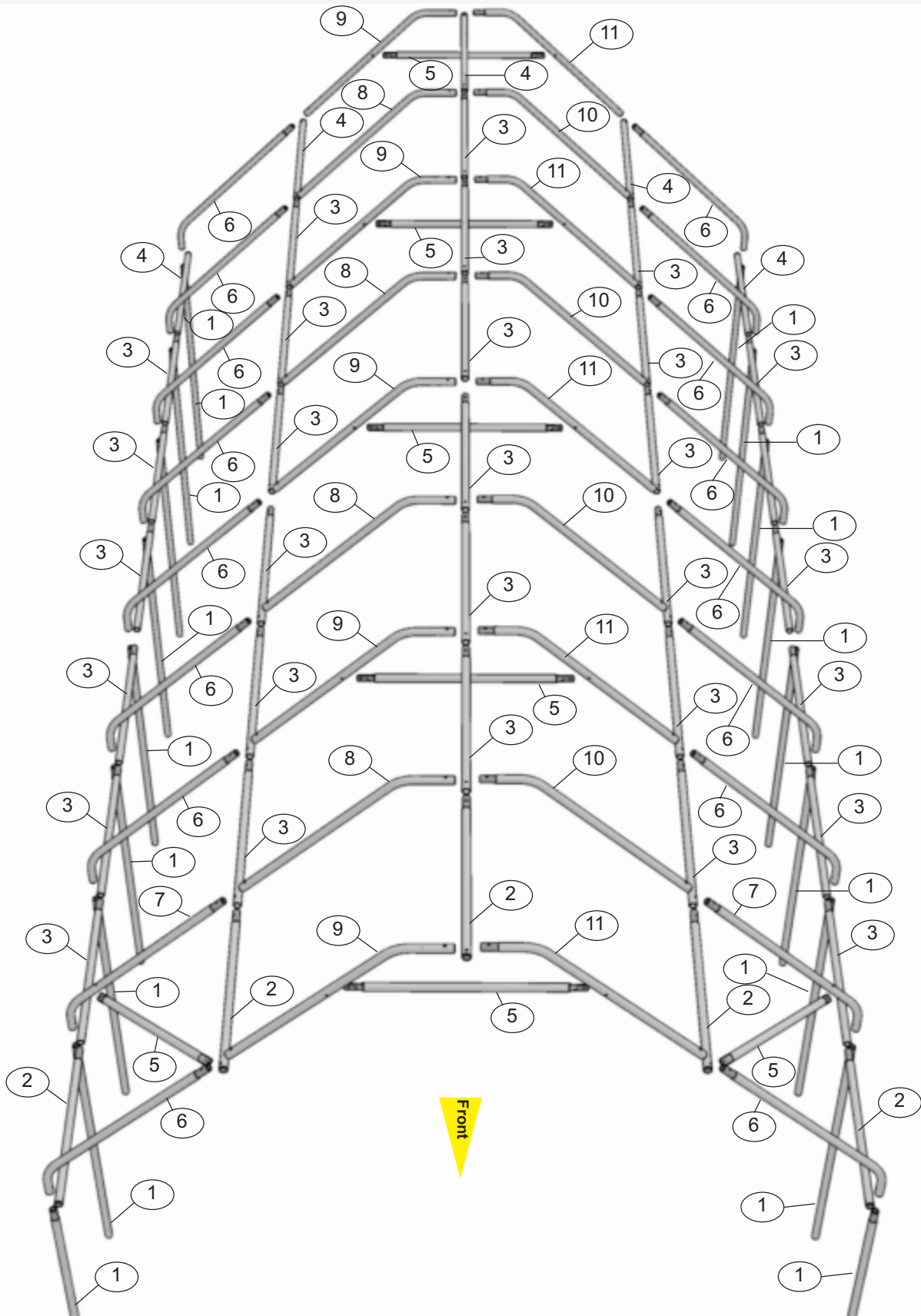
Thank you for purchasing our 8x16 Garden in a Box with Bird Netting Cover. Please take the time to identify all the parts prior to assembly.


Part 1		x 18
Part 2		x 5
Part 3		x 30
Part 4		x 5
Part 5		x 7
Part 6		x 16
Part 7		x 2
Part 8		x 4
Part 9		x 5
Part 10		x 4
Part 11		x 5

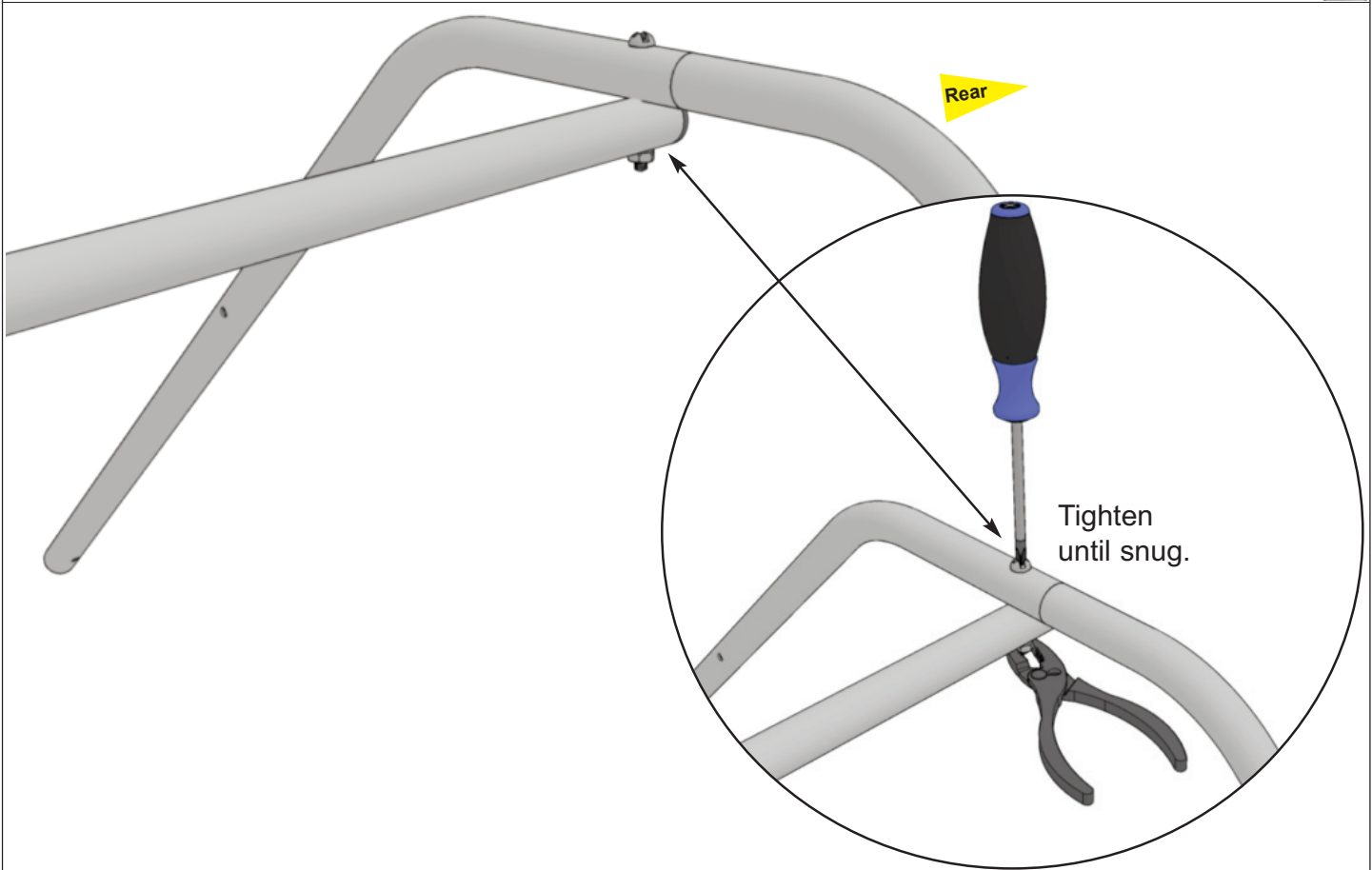
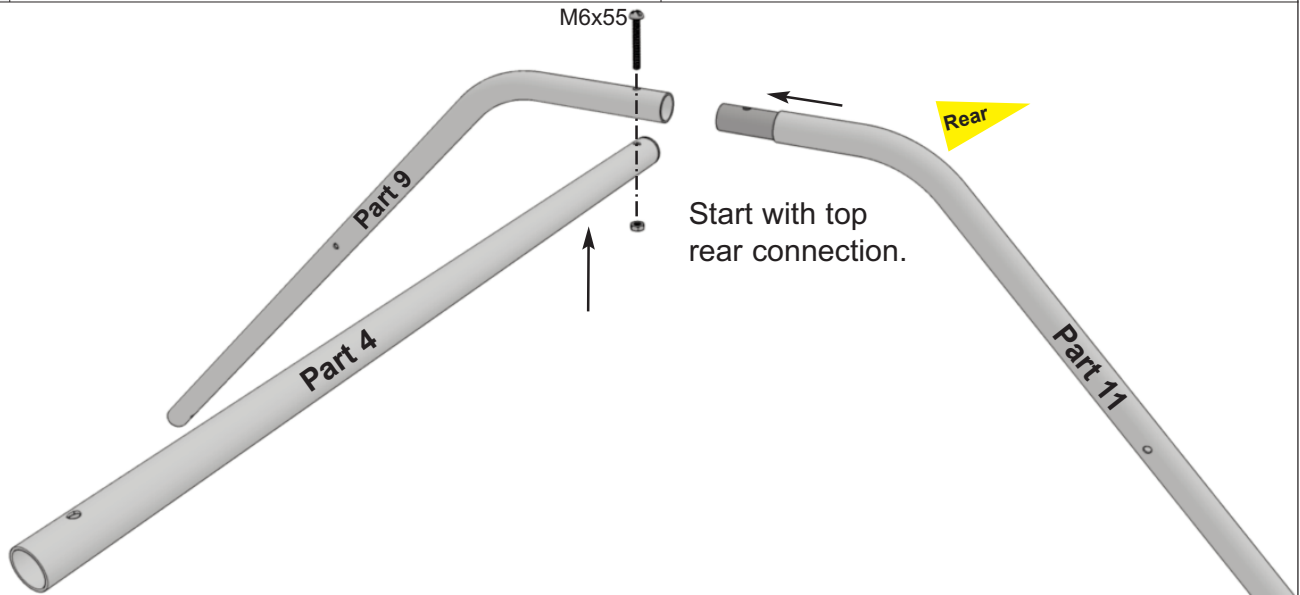
Hardware & Miscellaneous



Exploded View



Step	Parts & Hardware	
	1	1 x Part 4
1 x Part 9		1 x M6x55
		



Step

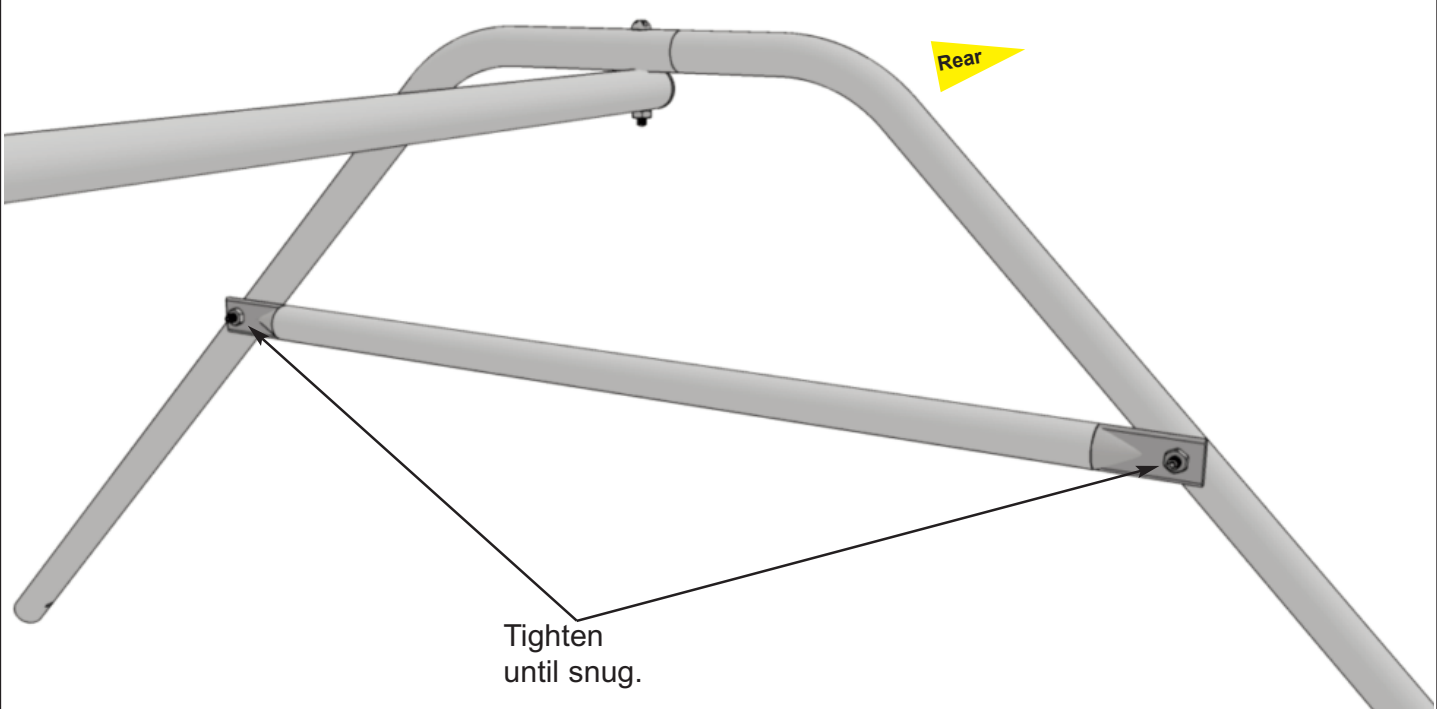
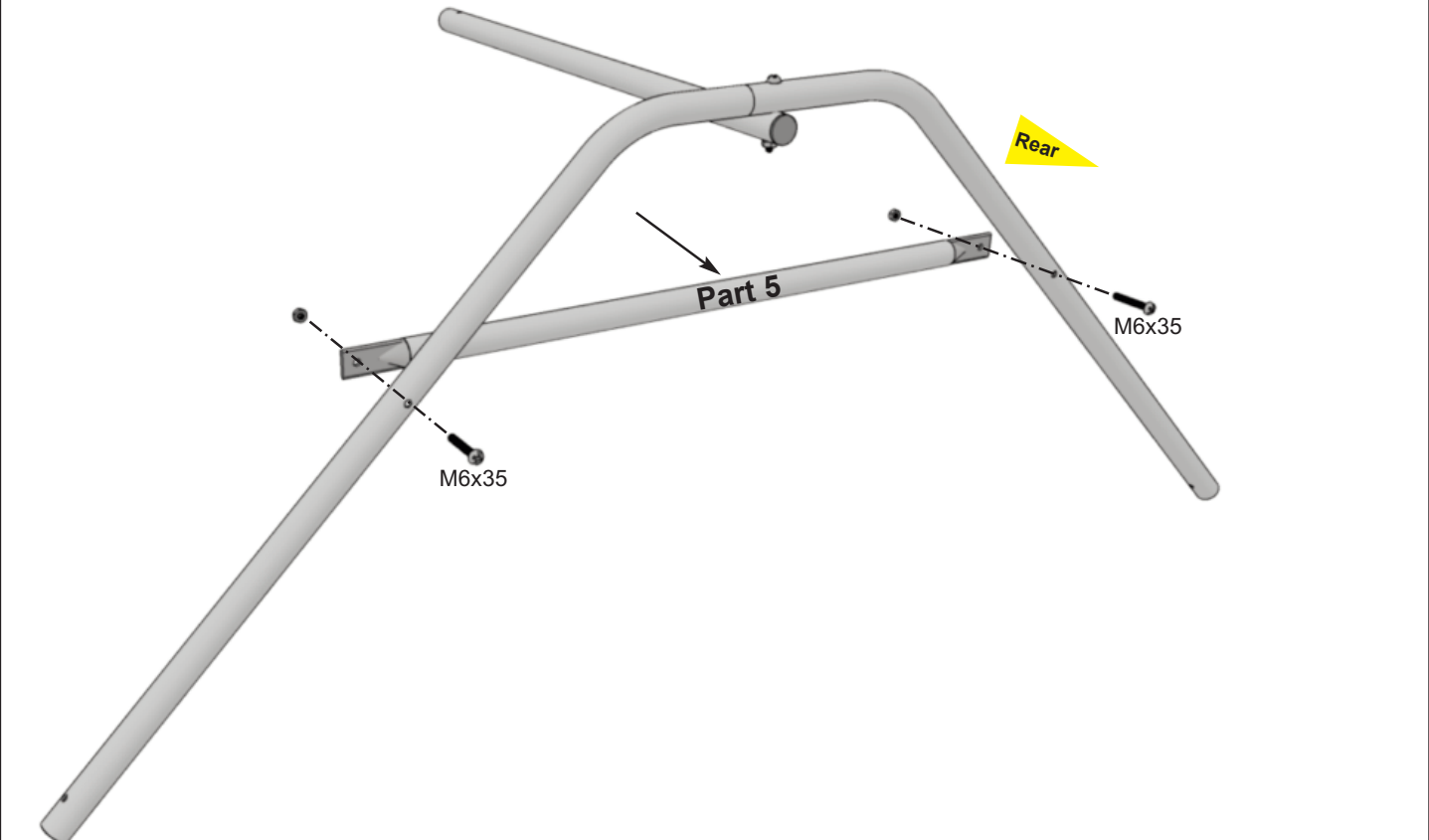
2

Parts & Hardware

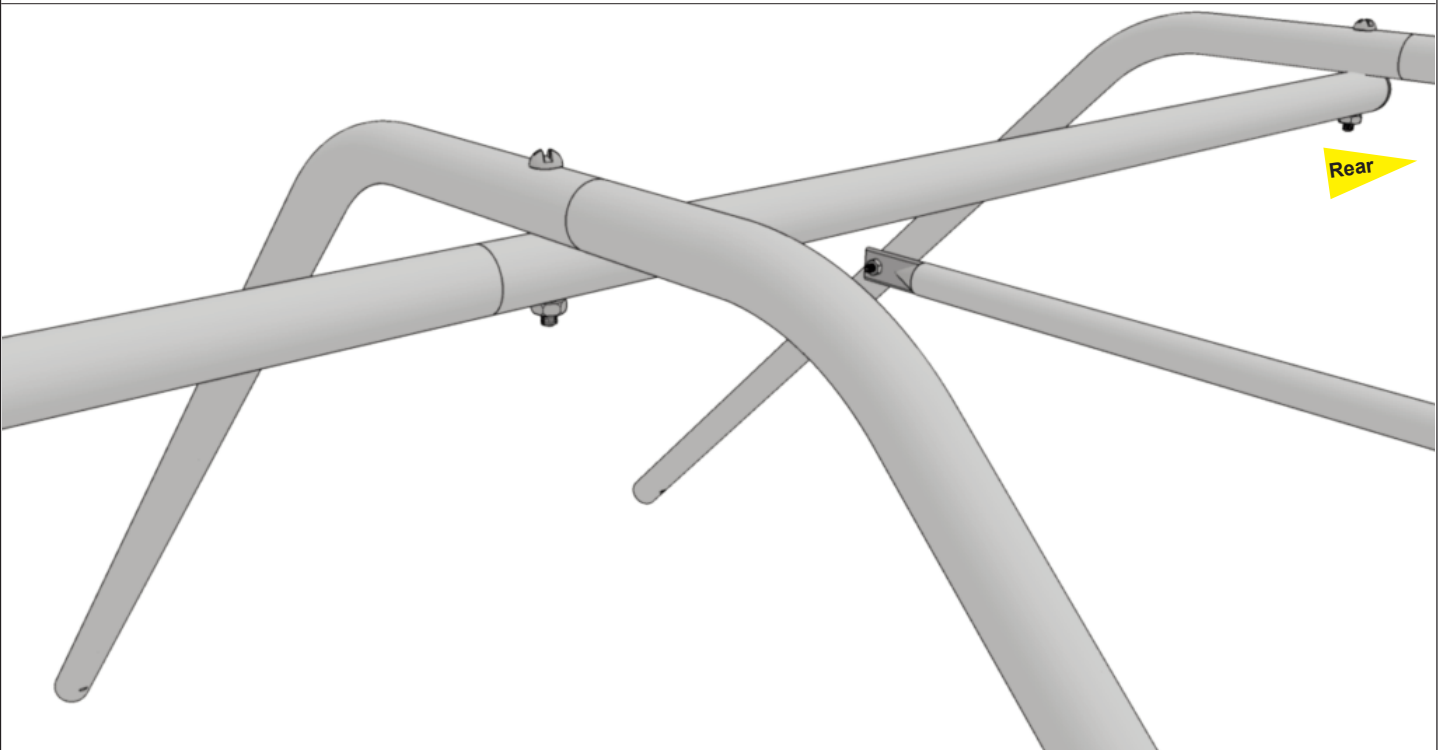
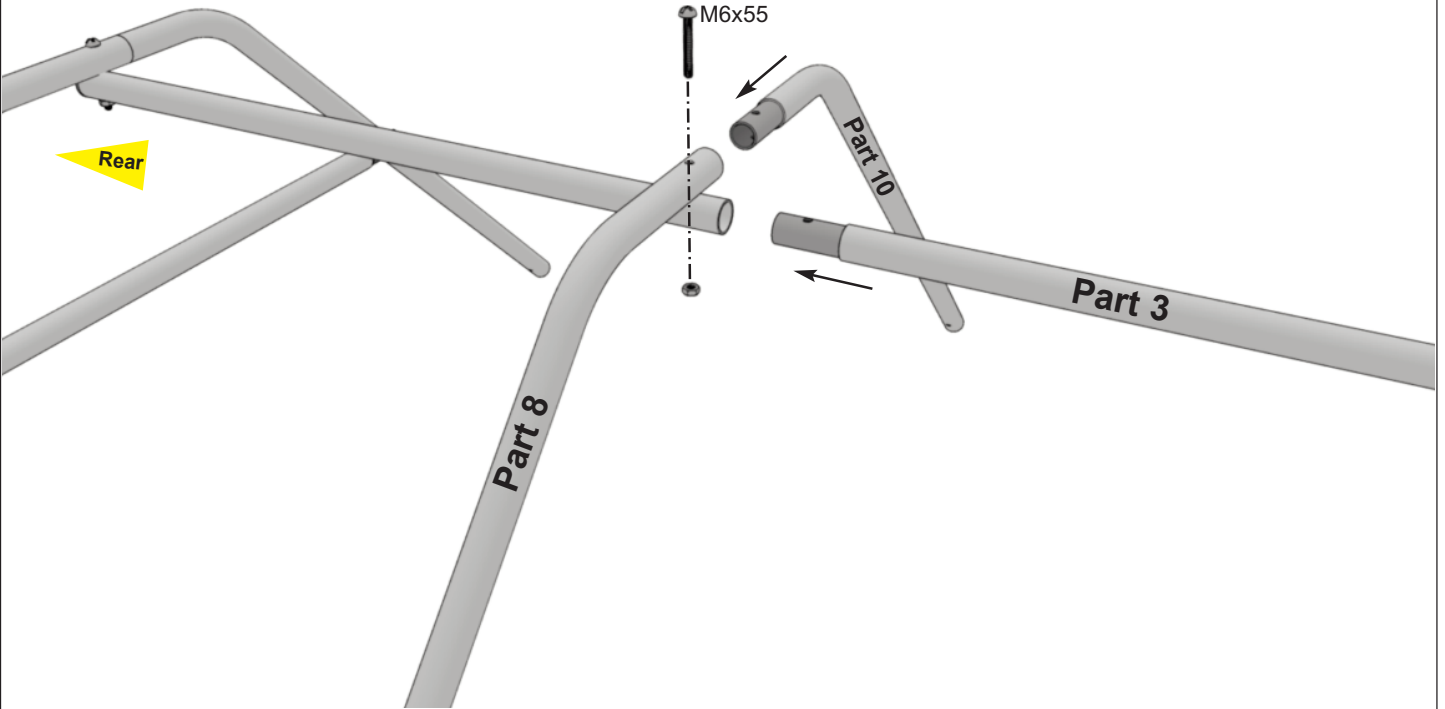
1 x Part 5



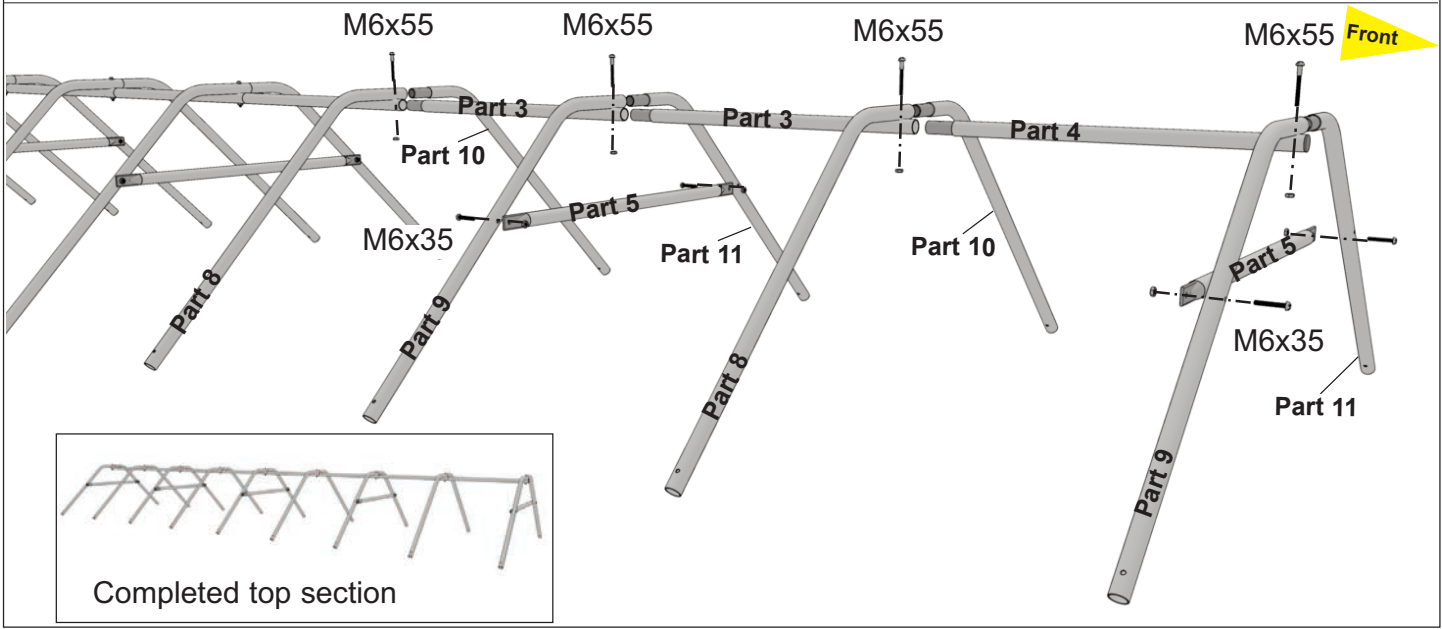
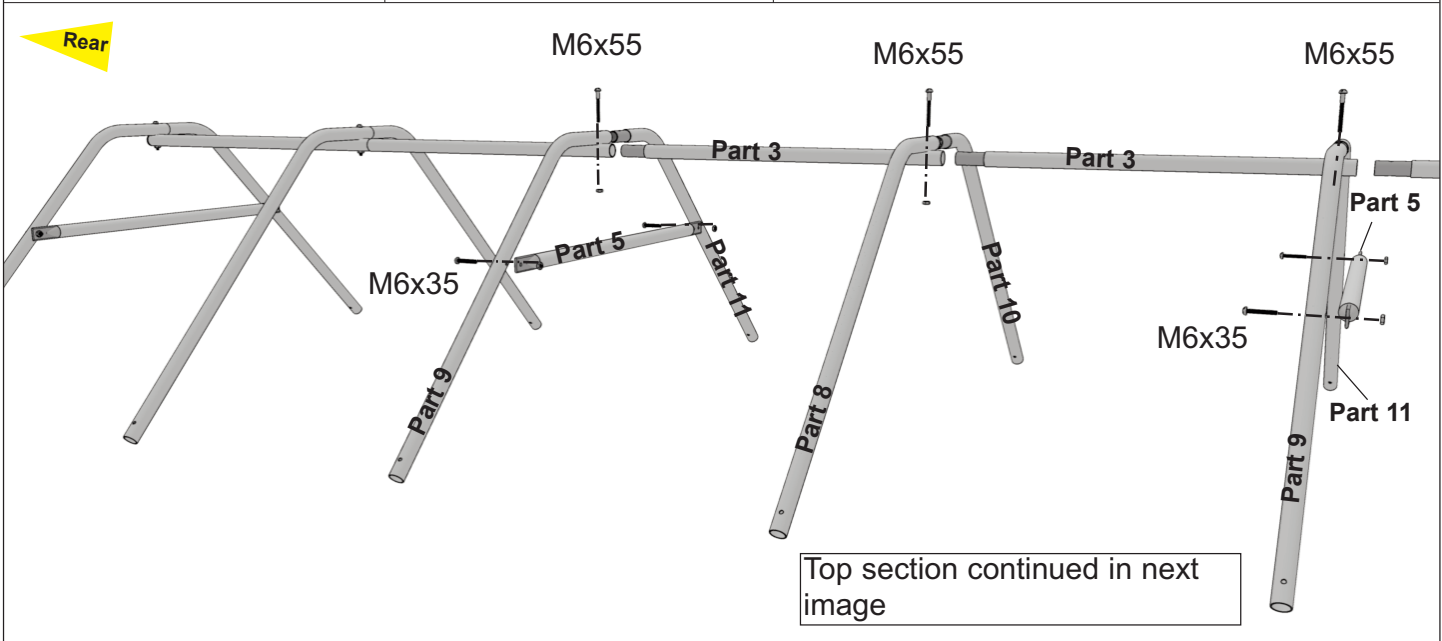
2 x M6x35






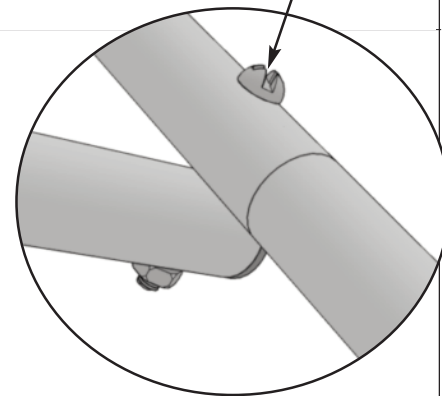
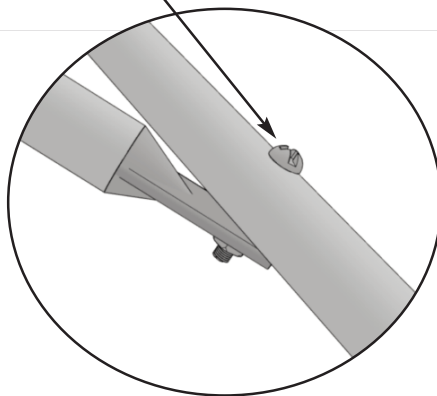
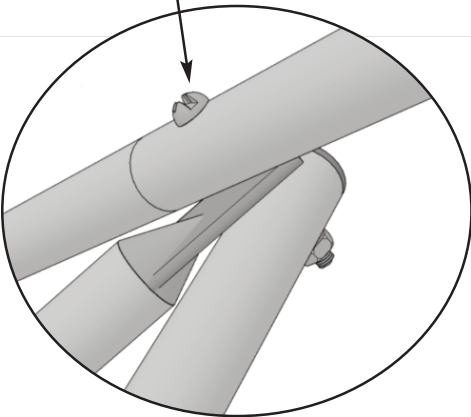
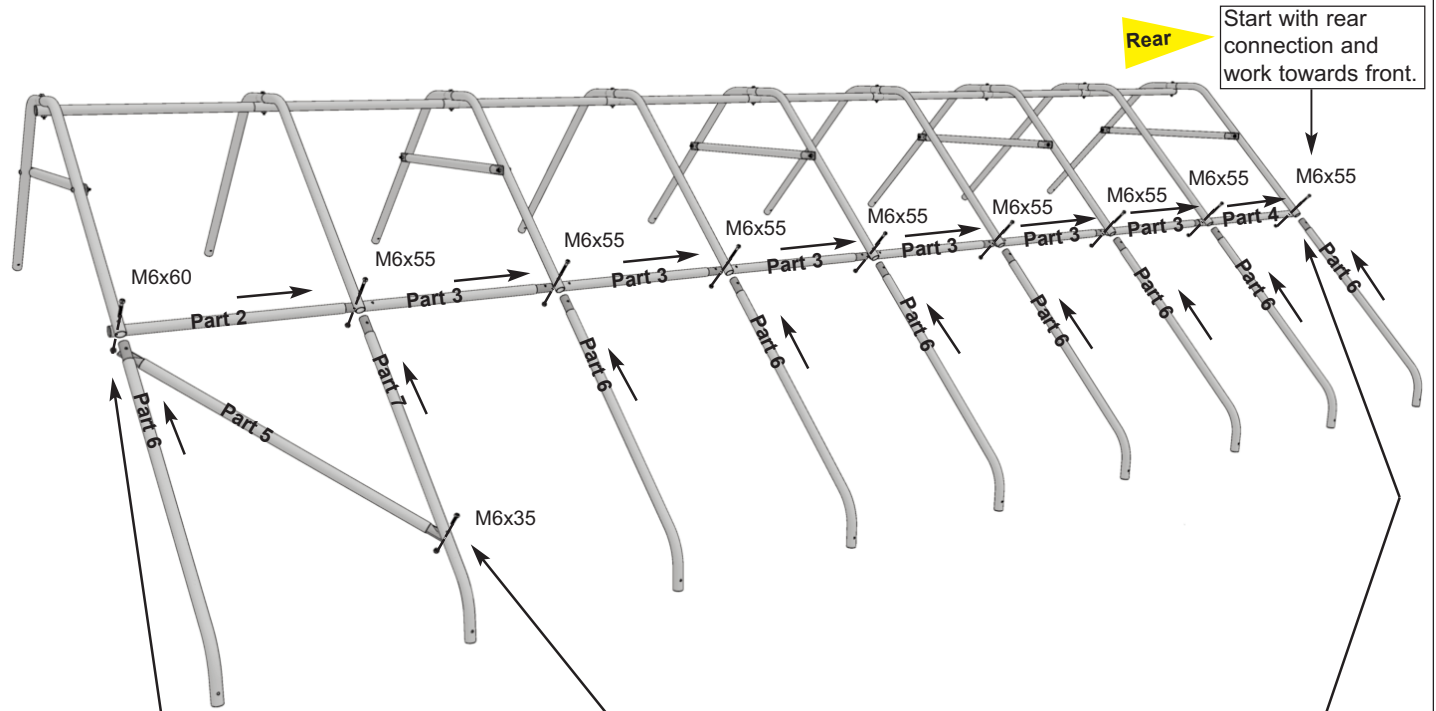
Step 3	Parts & Hardware	
	1 x Part 3	1 x Part 10
	1 x Part 8	1 x M6x55



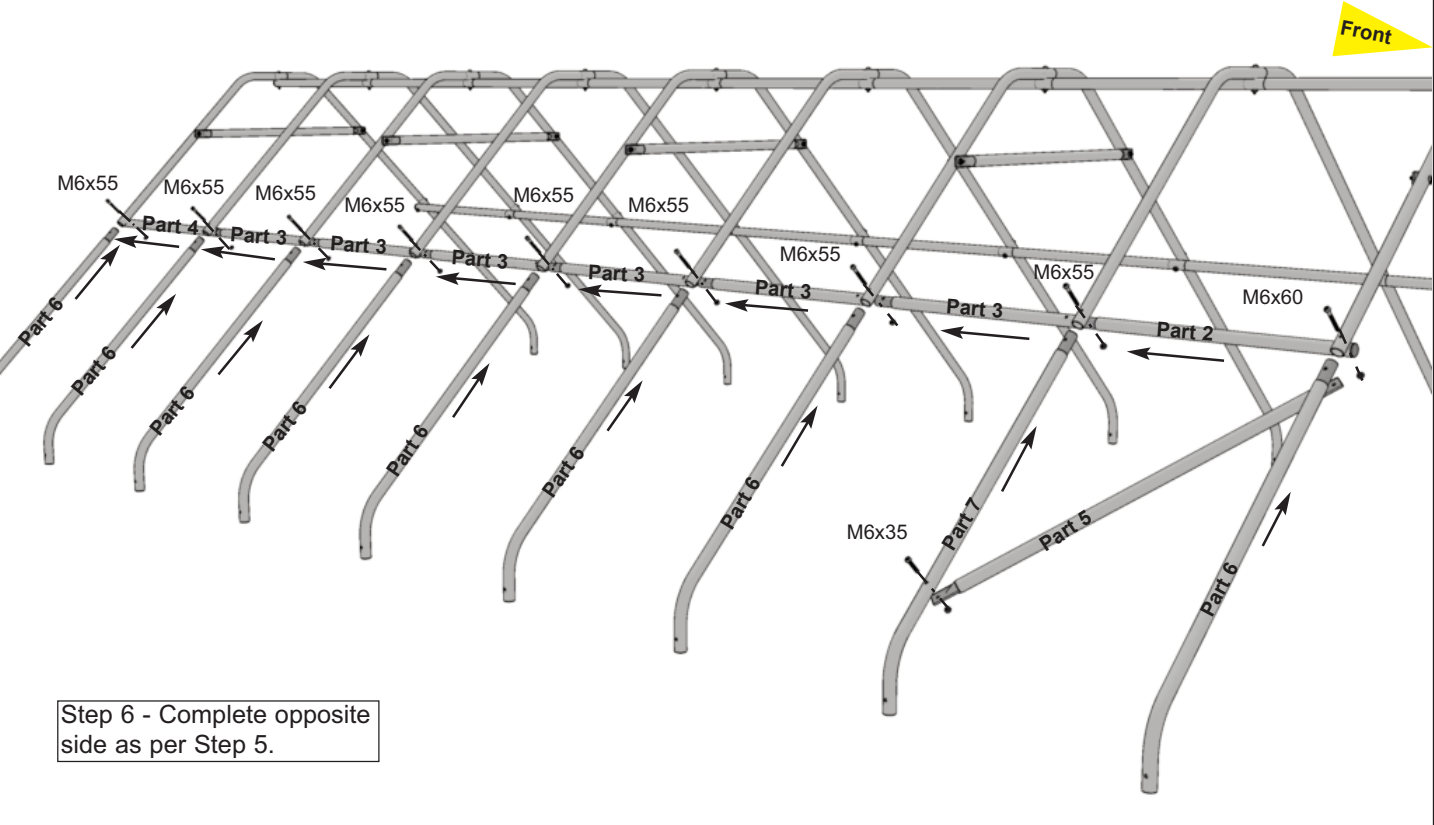
Step 4	Parts & Hardware	
	3 x Part 8	3 x Part 10
1 x Part 4	3 x Part 3	
4 x Part 9	4 x Part 11	
8 x M6x35	7 x M6x55	4 x Part 5



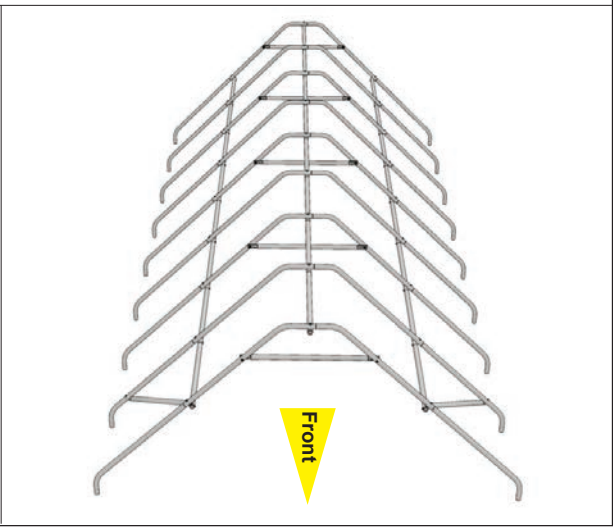
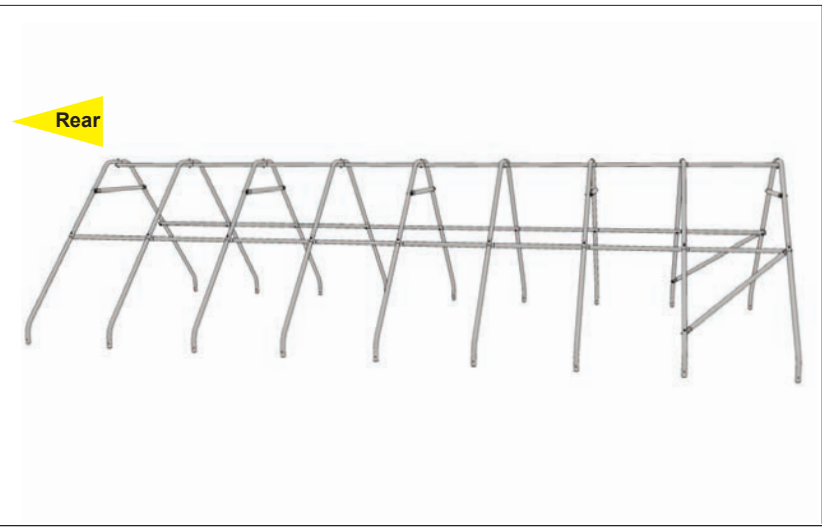
Step	Parts & Hardware		
	5	1 x Part 7	8 x Part 6
1 x Part 4		6 x Part 3	
1 x Part 2		1 x Part 5	
1 x M6x35		8 x M6x55	1 x M6x60
			



Step	Parts & Hardware		
	6	1 x Part 7	8 x Part 6
1 x Part 4		6 x Part 3	
1 x Part 2		1 x Part 5	
1 x M6x35		8 x M6x55	1 x M6x60



Step 6 - Complete opposite side as per Step 5.

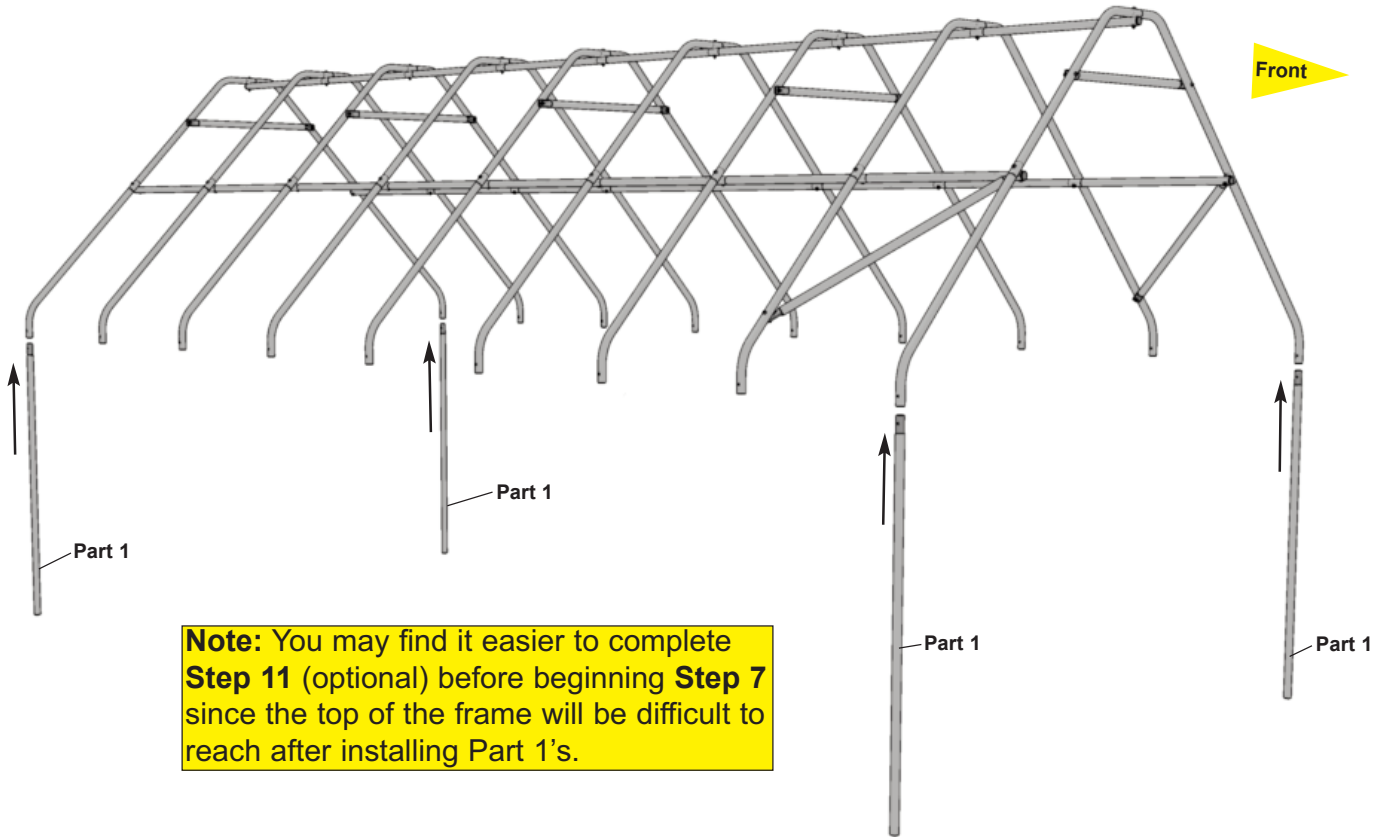


Step

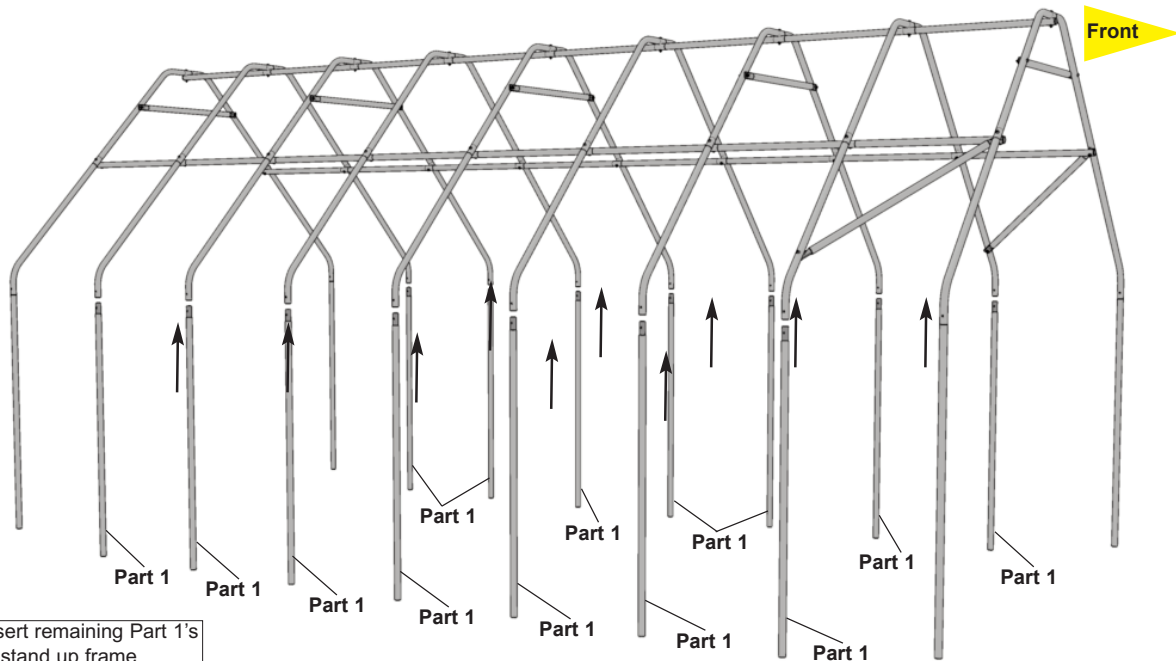
7

Parts & Hardware





18 x Part 1

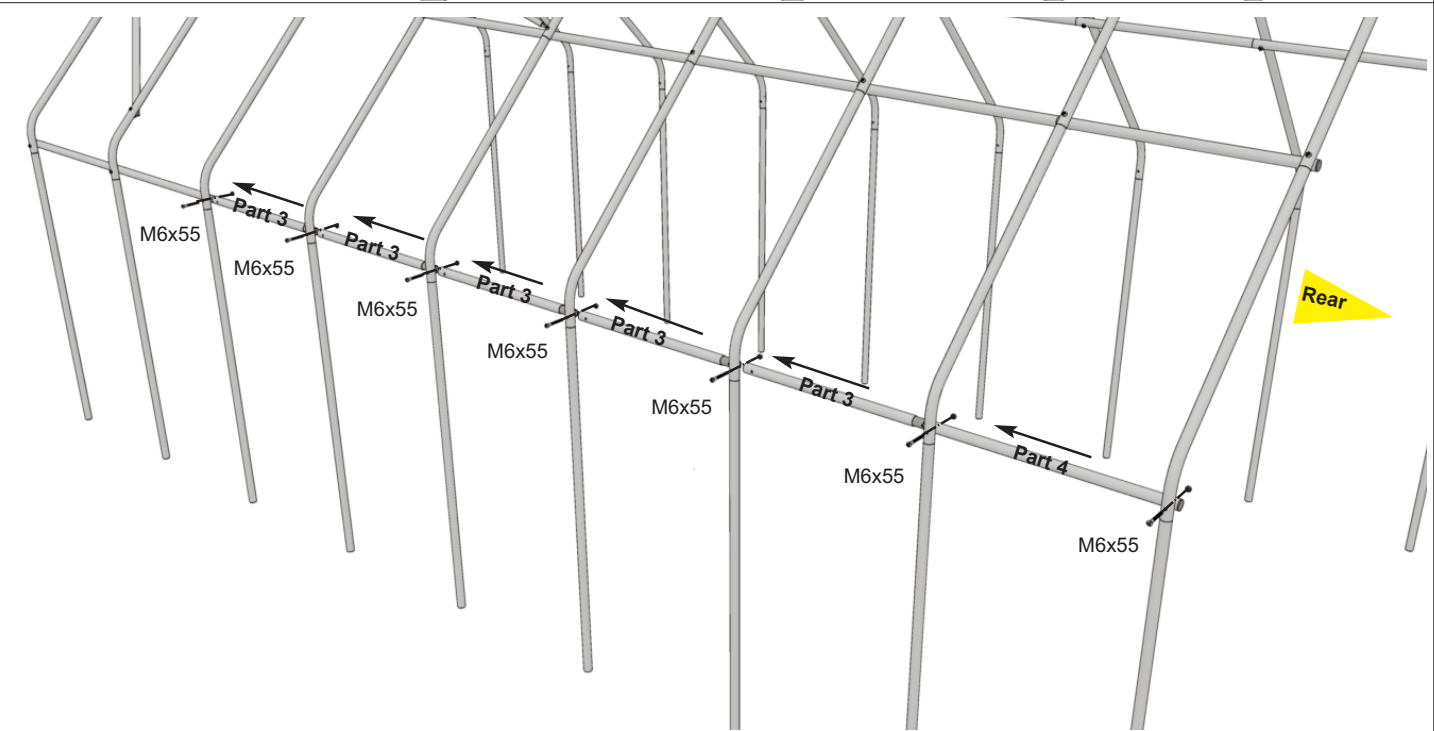
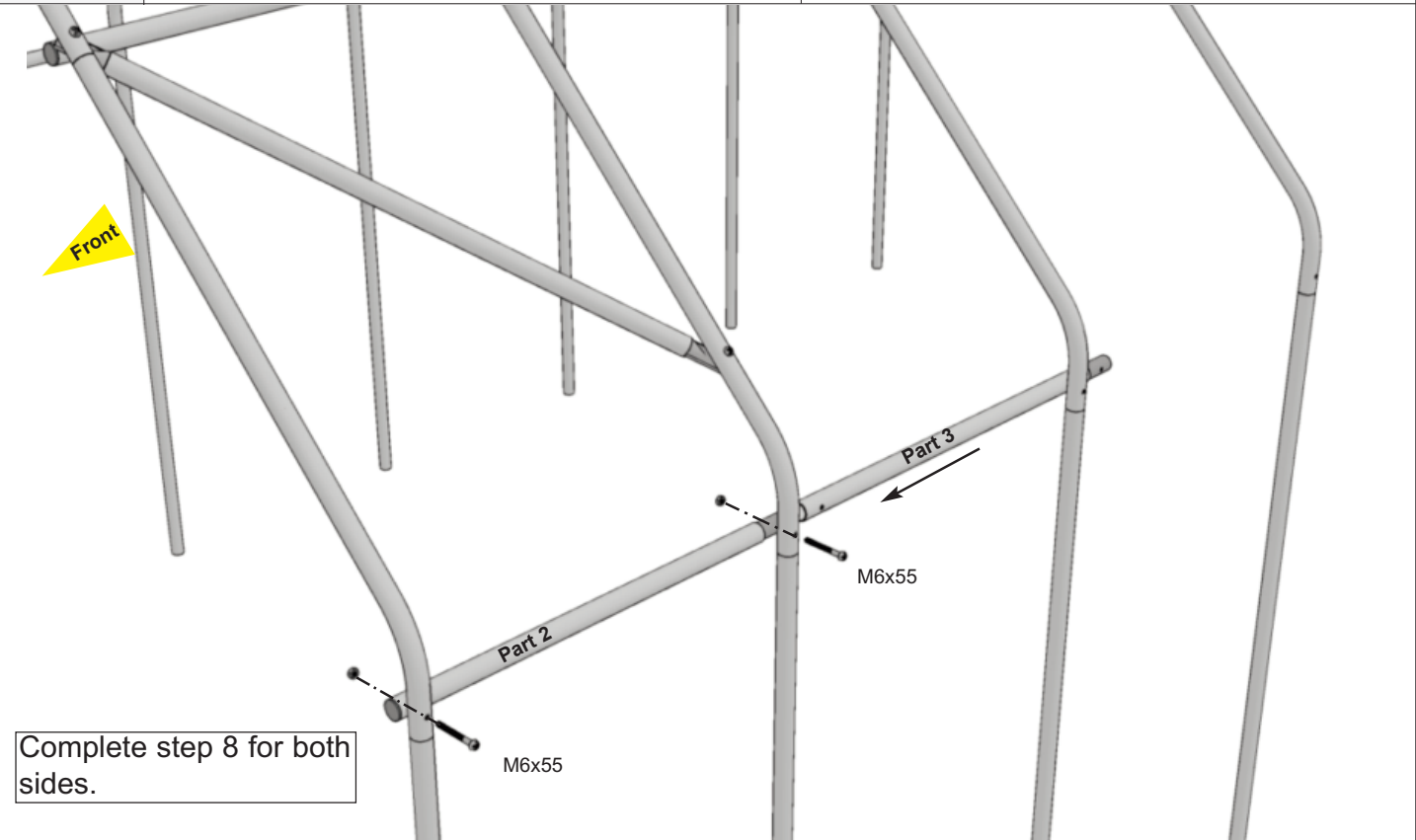


Note: You may find it easier to complete **Step 11** (optional) before beginning **Step 7** since the top of the frame will be difficult to reach after installing Part 1's.

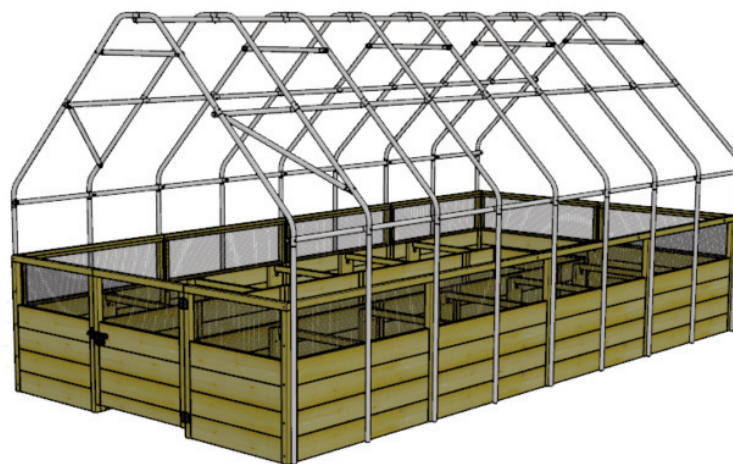
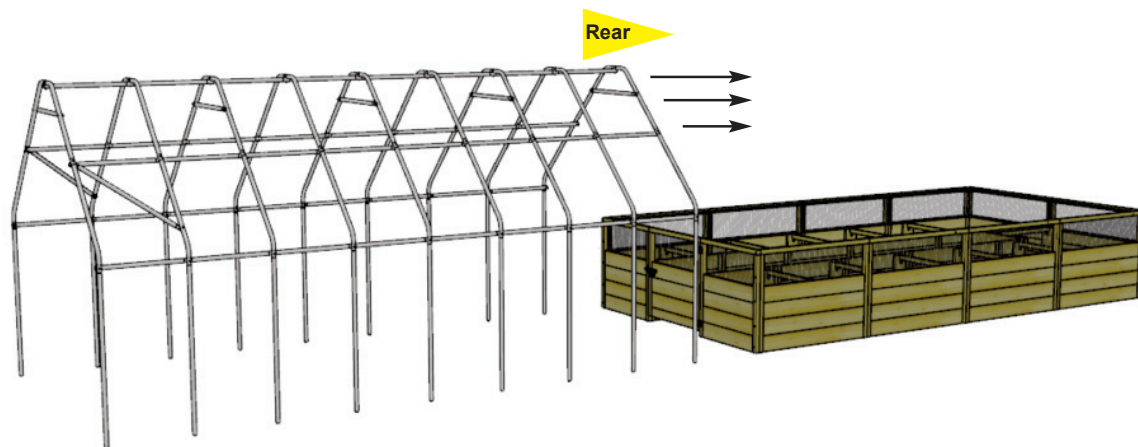


Insert remaining Part 1's to stand up frame

Step 8	Parts & Hardware	
	12 x Part 3 	18 x M6x55 
	2 x Part 2 	2 x Part 4 



Step 9



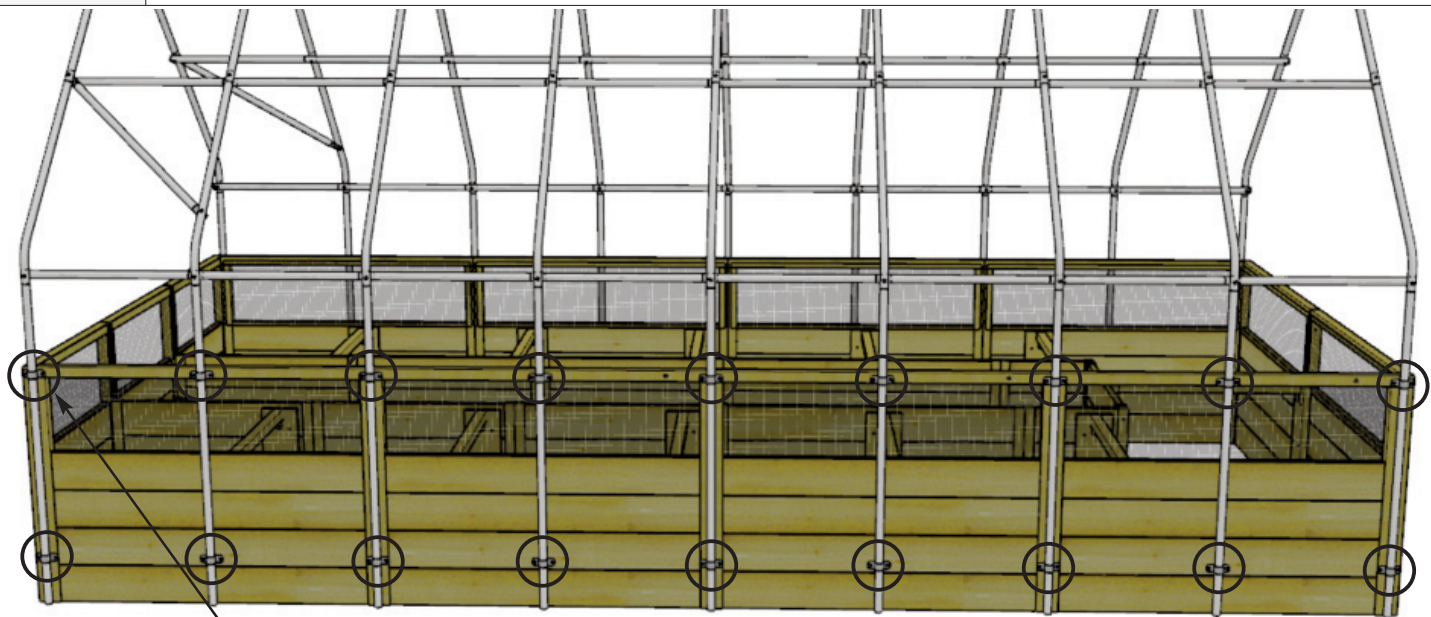
Step
10

Parts & Hardware

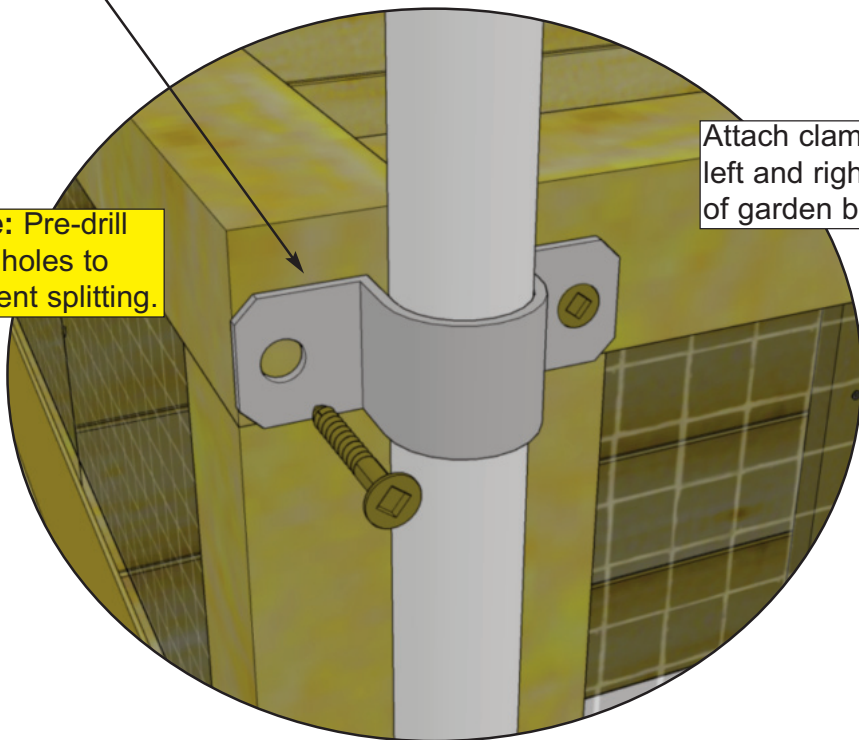
36 x Pipe Clamps



72 x 5/8" Screws



Note: Pre-drill pilot holes to prevent splitting.



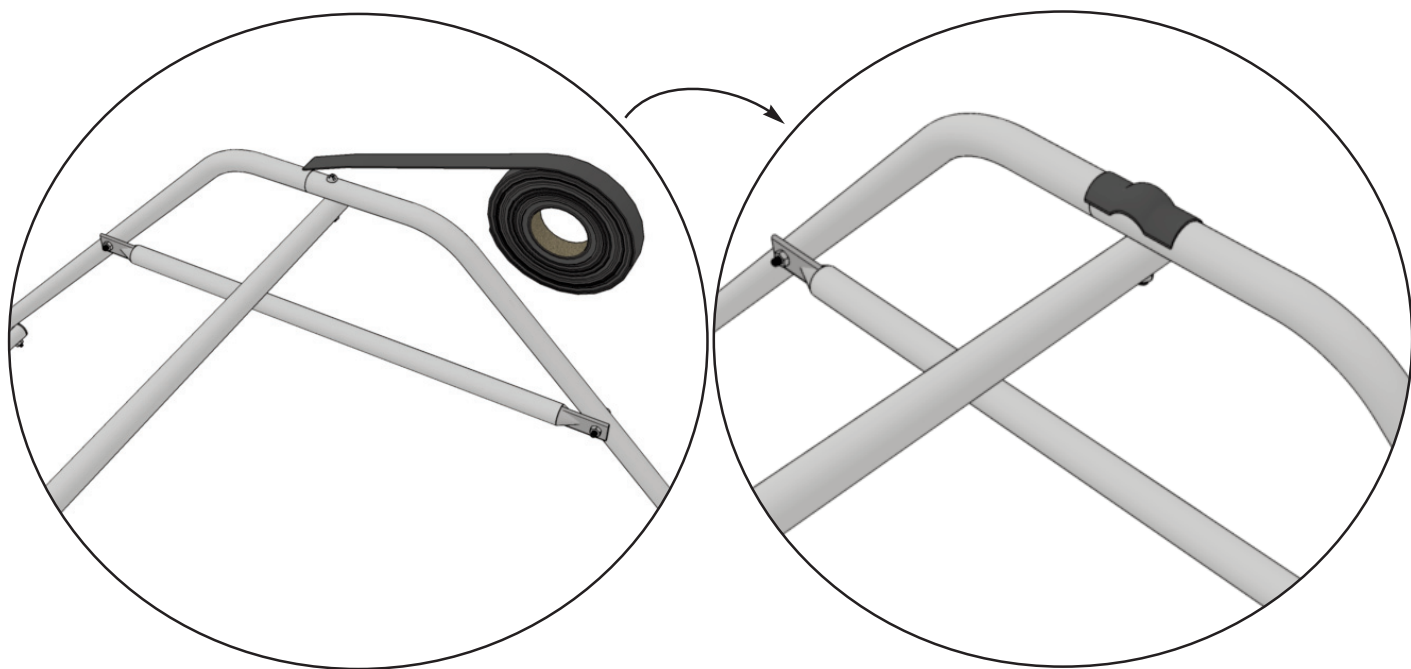
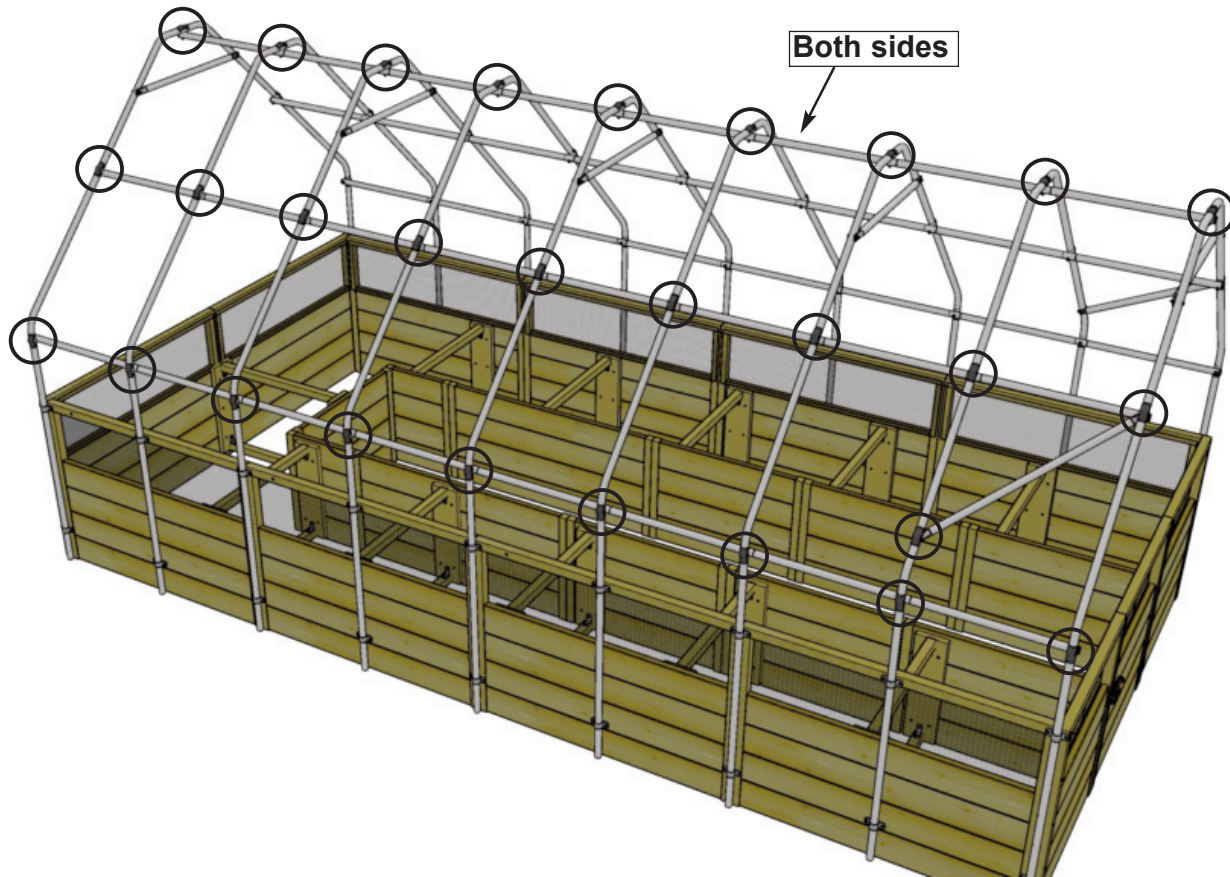
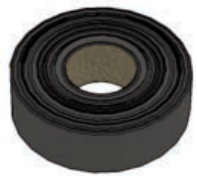
Attach clamps on left and right side of garden bed.

Step 11 - Optional

Parts & Hardware

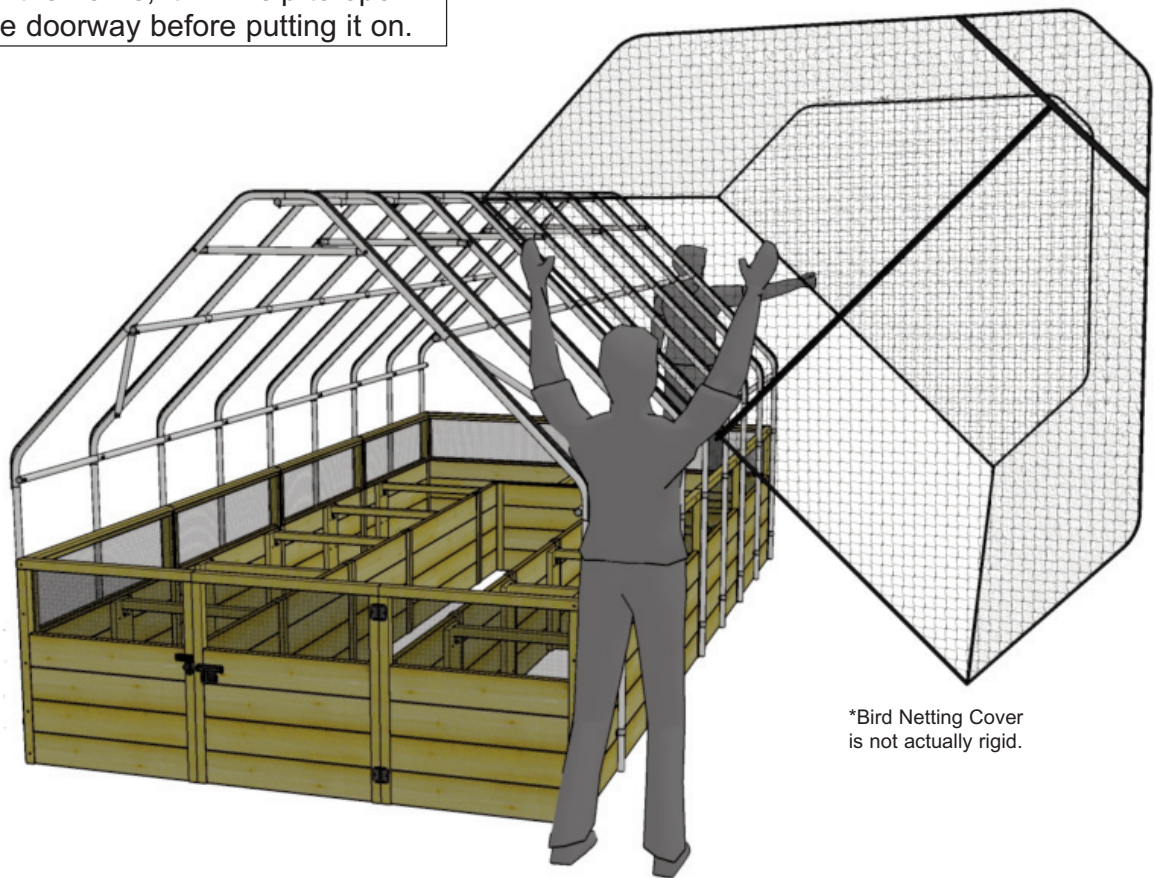
Note: You may want to cover each exposed bolt head on the exterior of the frame with a short strip of black tape (included). This will make the next step easier by preventing the Bird Netting from getting caught on the bolts when you put it onto the frame.

1 x Tape Roll

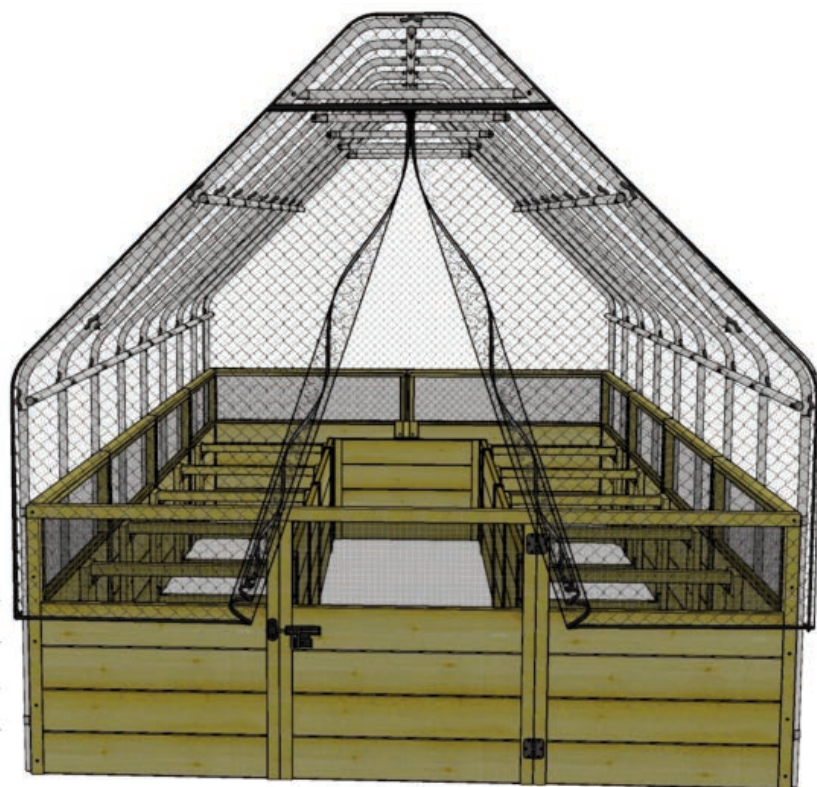


Step 12

Note: To fit the Bird Netting Cover on the frame, it will help to open the doorway before putting it on.



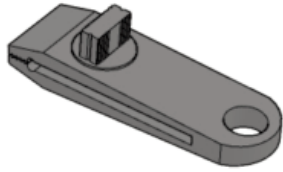
*Bird Netting Cover is not actually rigid.



Step
13

Parts & Hardware

2 x Clips



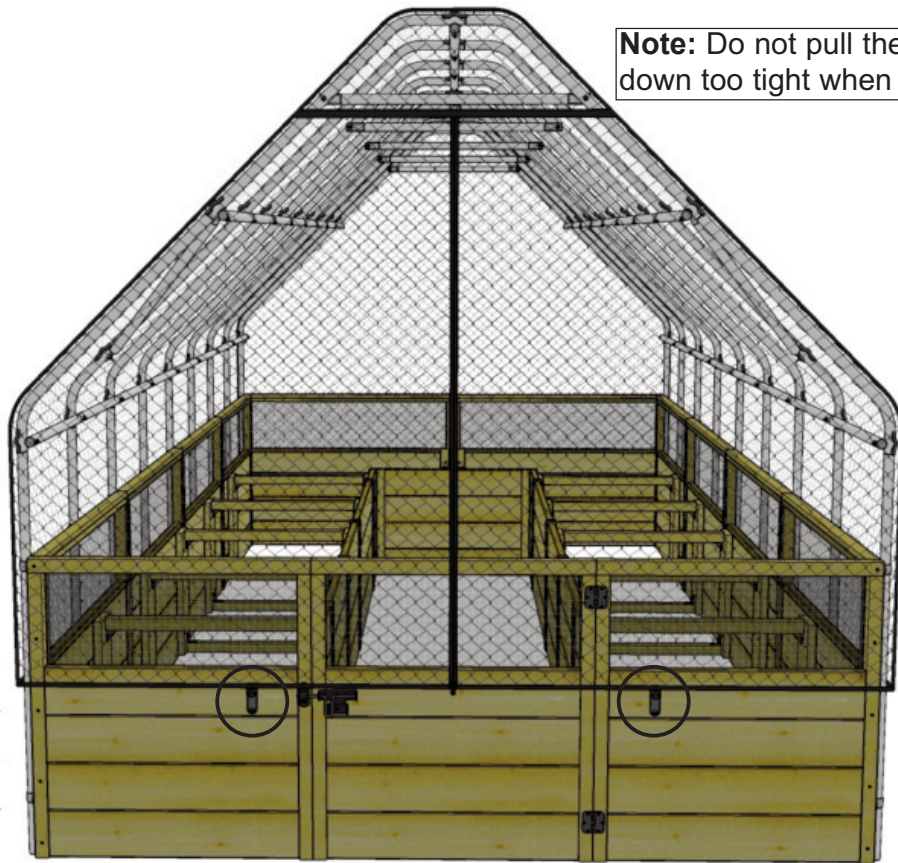
2 x 1" Screws



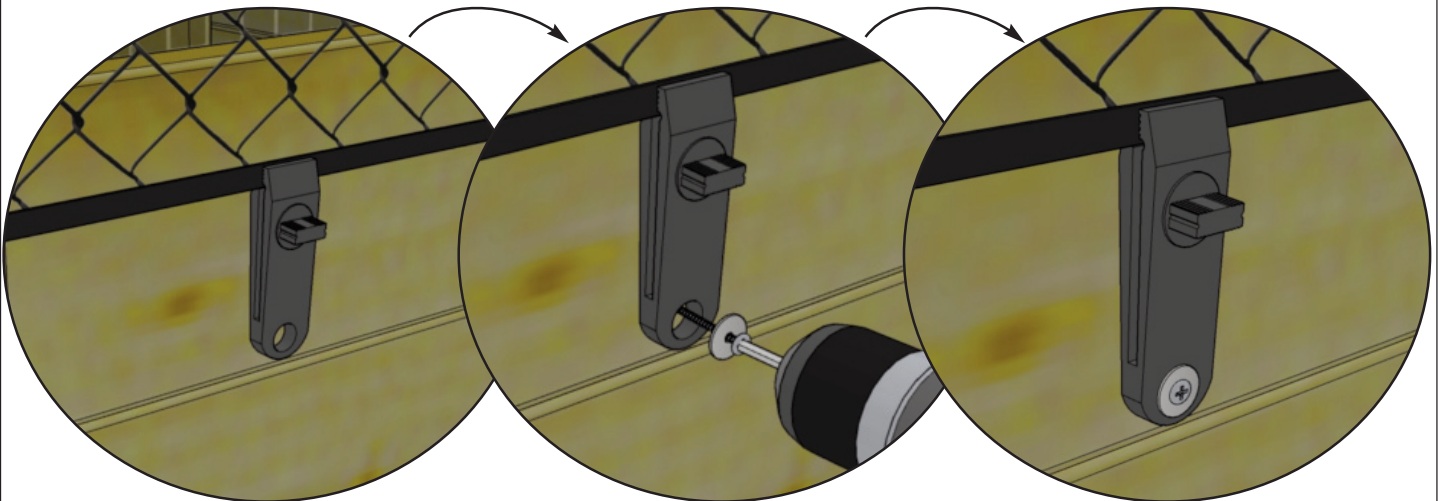
2 x Washers



Front of Unit



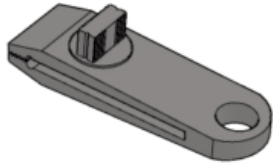
Note: Do not pull the Bird Netting Cover down too tight when attaching the clips.



Step
14

Parts & Hardware

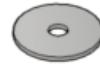
18 x Clips



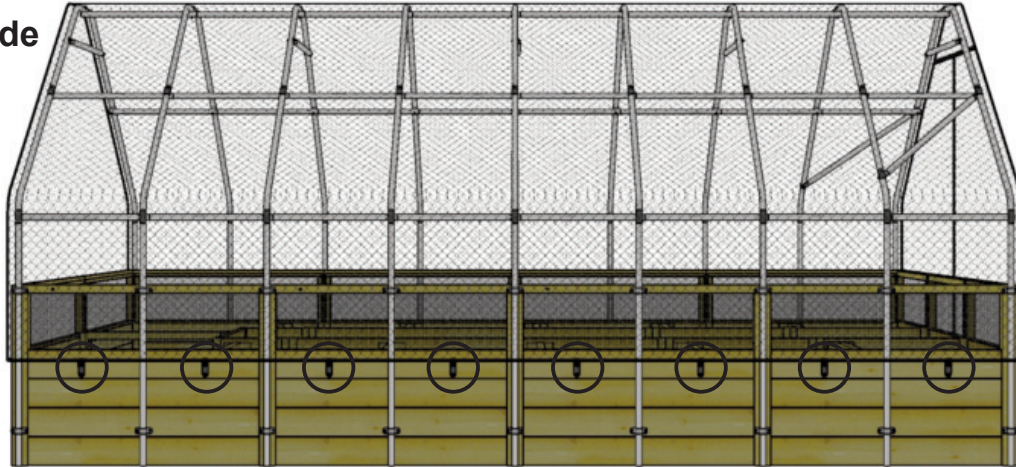
18 x 1" Screws



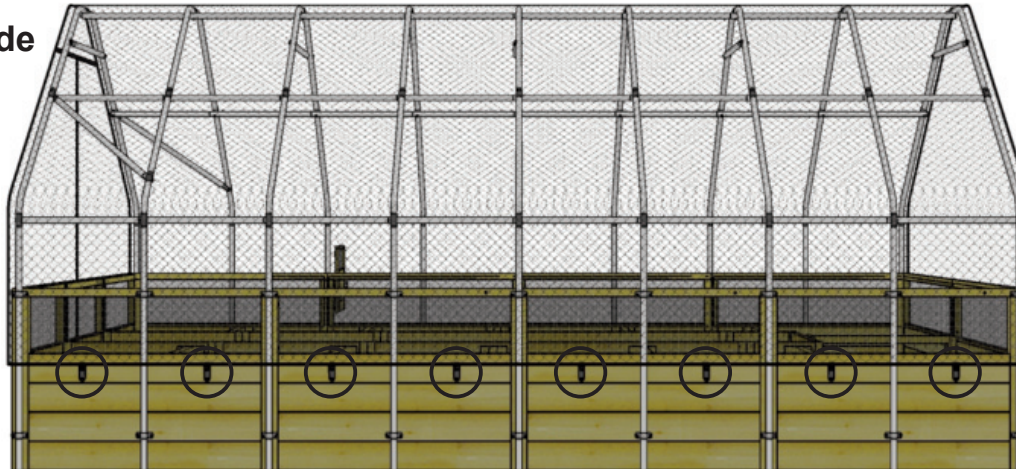
18 x Washers



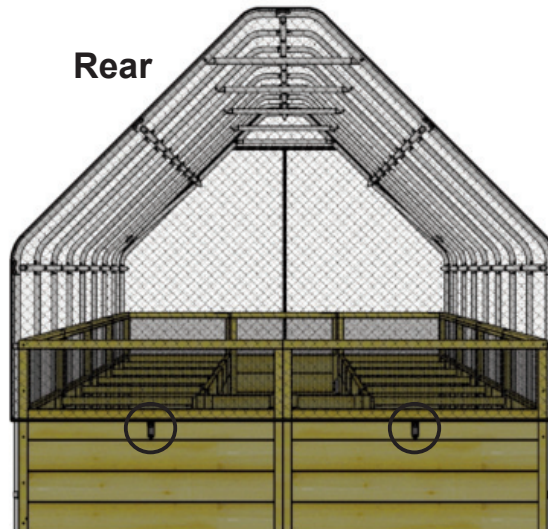
Right Side



Left Side



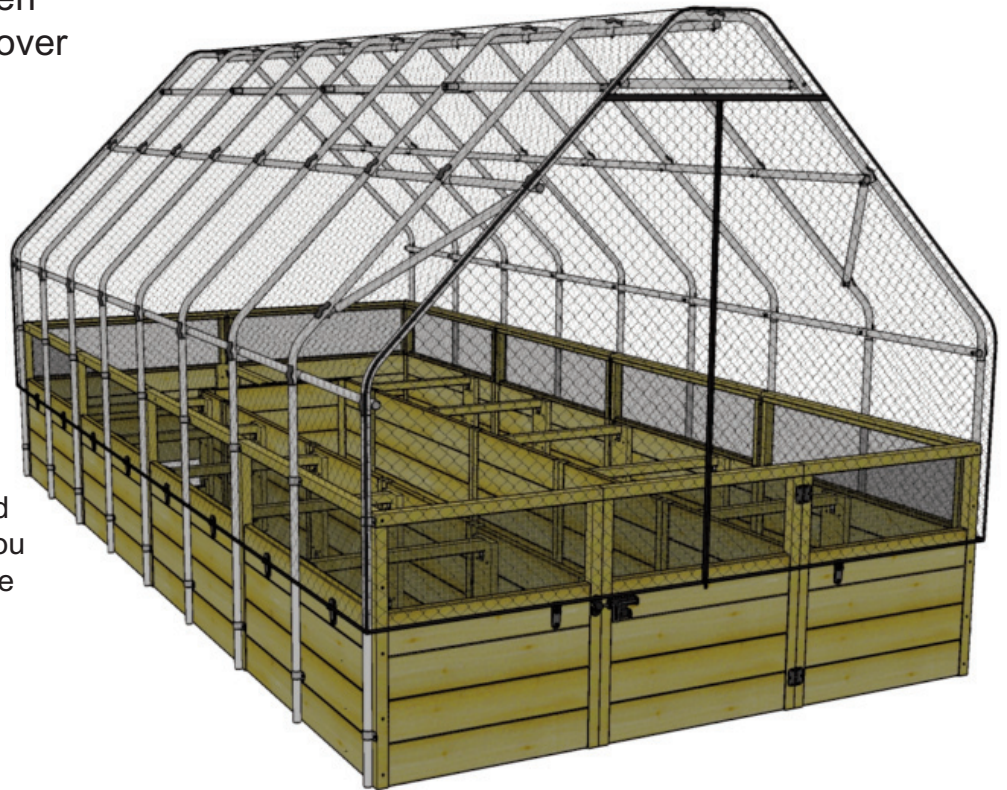
Rear



Made with North American Western Red Cedar

www.CedarShedAndGardenKits.com info@CedarShedAndGardenKits.com

We hope your experience assembling your 8x16 Garden in a Box with Bird Netting Cover has been both positive and rewarding.



We value your feedback and would like to hear back from you on how well we are doing in the following areas:

1. Customer Service
2. On Time Shipping
3. Motor Freight Delivery
4. Quality of Materials
5. Assembly Manual
6. Overall Satisfaction.

**Please email John and Pat Motley
info@CedarShedandGardenKits.com**

The materials contained in this Assembly Manual may be downloaded or copied provided that ALL copies retain the copyright and any other proprietary notices contained on the materials. No material may be modified, edited or taken out of context such that its use creates a false or misleading statement or impression as to the positions, statements or actions.